



DEPARTMENT OF REGULATORY AND ECONOMIC RESOURCES (RER)
BOARD AND CODE ADMINISTRATION DIVISION

NOTICE OF ACCEPTANCE (NOA)

MIAMI-DADE COUNTY
PRODUCT CONTROL SECTION

11805 SW 26 Street, Room 208
T (786) 315-2590 F (786) 315-2599

www.miamidade.gov/economy

QuikServ Corp.
11441 Brittmoore Park Drive
Houston, TX 77240

SCOPE:

This NOA is being issued under the applicable rules and regulations governing the use of construction materials. The documentation submitted has been reviewed and accepted by Miami-Dade County RER - Product Control Section to be used in Miami Dade County and other areas where allowed by the Authority Having Jurisdiction (AHJ).

This NOA shall not be valid after the expiration date stated below. The Miami-Dade County Product Control Section (In Miami-Dade County) and/ or the AHJ (in areas other than Miami-Dade County) reserve the right to have this product or material tested for quality assurance purposes. If this product or material fails to perform in the accepted manner, the manufacturer will incur the expense of such testing and the AHJ may immediately revoke, modify, or suspend the use of such product or material within their jurisdiction. RER reserves the right to revoke this acceptance, if it is determined by Miami-Dade County Product Control Section that this product or material fails to meet the requirements of the applicable building code.

This product is approved as described herein and has been designed to comply with the Florida Building Code, including the High Velocity Hurricane Zone. -

DESCRIPTION: Series "BP-7241E-IP & BP-7236E-IP Commercial" Aluminum Pass-Through Window - L.M.I.

APPROVAL DOCUMENT: Drawing No. **21-023** (former **17-079**), titled "Aluminum Commercial Pass-Thru Windows- Large Missile Impact Resistant", sheets 1 thru 8, 8A, 9 thru 15 of 15, dated 01/21/2021, prepared by Tilteco, Inc., signed and sealed by Walter A. Tillit, Jr., P.E., bearing the Miami-Dade County Product Control Renewal stamp with the Notice of Acceptance number and expiration date by the Miami-Dade County Product Control Section.

MISSILE IMPACT RATING: Large and Small Missile Impact Resistant

LABELING: Each unit shall bear a permanent label with the manufacturer's name or logo, city, state, series, and following statement: "Miami-Dade County Product Control Approved", unless otherwise noted herein.

RENEWAL of this NOA shall be considered after a renewal application has been filed and there has been no change in the applicable building code negatively affecting the performance of this product.

TERMINATION of this NOA will occur after the expiration date or if there has been a revision or change in the materials, use, and/ or manufacture of the product or process. Misuse of this NOA as an endorsement of any product, for sales, advertising or any other purposes shall automatically terminate this NOA. Failure to comply with any section of this NOA shall be cause for termination and removal of NOA.

ADVERTISEMENT: The NOA number preceded by the words Miami-Dade County, Florida, and followed by the expiration date may be displayed in advertising literature. If any portion of the NOA is displayed, then it shall be done in its entirety.

INSPECTION: A copy of this entire NOA shall be provided to the user by the manufacturer or its distributors and shall be available for inspection at the job site at the request of the Building Official.

This NOA **revises** NOA No. **18-0814.01** and consists of this page 1 and evidence pages E-1, E-2, E-3 and E-4, as well as approval document mentioned above.

The submitted documentation was reviewed by **Ishaq I. Chanda, P.E.**



NOA No. 21-0205.08
Expiration Date: November 28, 2023

Approval Date: May 06, 2021

4/27/21

NOTICE OF ACCEPTANCE: EVIDENCE SUBMITTED

1. EVIDENCE SUBMITTED UNDER PREVIOUS NOA's

A. DRAWINGS

1. Manufacturer's die drawings and sections.
(Submitted under NOA No. 13-0822.06)
2. Drawing No. **17-079**, titled "Aluminum Commercial Pass-Thru Windows – Large Missile Impact Resistant", sheets 1 thru 8, 8A and 9 thru 15 of 15, dated 07/17/17, with revision No. **2** dated 11/02/17, prepared by Tilteco, Inc., signed and sealed by Walter A. Tillit, Jr., P.E.

B. TESTS

1. Test reports on:
 - 1) Air Infiltration Test, per FBC, TAS 202-94
 - 2) Uniform Static Air Pressure Test, Loading per FBC, TAS 202-94
 - 3) Water Resistance Test, per FBC, TAS 202-94
 - 4) Large Missile Impact Test per FBC, TAS 201-94
 - 5) Cyclic Wind Pressure Loading per FBC, TAS 203-94
 - 6) Forced Entry Test, per FBC 2411.3.2.1, and TAS 202-94along with marked-up drawings and installation diagram of series **BP-7241E-IP** and **BP-7236E-IP** aluminum commercial pass-thru windows, prepared by Architectural Testing, Inc., Test Report No. **ATI-C5136.01-801-18**, dated 07/26/13, signed and sealed by Vinu J. Abraham, P.E.
(Submitted under NOA No. 13-0822.06)

C. CALCULATIONS

1. Anchor verification calculations and structural analysis, complying with **FBC 5th Edition (2014)**, dated 03/11/15, prepared by Tilteco, Inc., signed and sealed by Walter A. Tillit, P.E.
2. Glazing complies with **ASTM E1300-04/09**

D. QUALITY ASSURANCE

1. Miami-Dade Department of Regulatory and Economic Resources (RER).

E. MATERIAL CERTIFICATIONS

1. Notice of Acceptance No. **14-0916.10** issued to **Kuraray America, Inc.** for their "**Butacite® PVB Glass Interlayer**" dated 04/25/15, expiring on 12/11/16.
2. Material Safety Data Sheet of **MSDS-17 High Density Polyethylene**, dated 09/11/08 and issued by Quadrant Engineering Plastic Products USA, Inc., the latest revision dated 09/01/10 by M. Lykins.



Ishaq I. Chanda, P.E.

Product Control Unit Supervisor

NOA No. 21-0205.08

Expiration Date: November 28, 2023

Approval Date: May 06, 2021

QuikServ Corp.

NOTICE OF ACCEPTANCE: EVIDENCE SUBMITTED

F. STATEMENTS

1. Statement letter of conformance, complying with **FBC 5th Edition (2014)** and **FBC 6th Edition (2017)**, dated July 17, 2017, issued by Tilteco, Inc., signed and sealed by Walter A. Tillit, Jr., P.E.
(Submitted under NOA No. 17-0731.02)
2. Department of State Certification of QuikServ Corporation as a foreign profit corporation, active and organized under the laws of the State of Florida, dated 01/13/15 and e-filed by the Secretary of State.
(Submitted under NOA No. 15-0316.02)
3. Department of State Certification of QuikServ Corp. as a For-Profit Corporation, active and organized under the laws of the State of Texas, dated 01/07/14 and e-filed by the Secretary of State.
(Submitted under NOA No. 15-0316.02)
4. Statement letter of no financial interest, dated 08/05/13, signed and sealed by Walter A. Tillit, P.E.
(Submitted under NOA No. 13-0822.06)
5. Department of State Certification of QuikServ Corp. as a For-Profit Corporation, active and organized under the laws of the State of Texas, dated 07/15/08, filed and signed by Phil Wilson, Secretary of State.
(Submitted under NOA No. 13-0822.06)
6. Laboratory addendum letter for Test Report No. **ATI-C5136.01-801-18**, issued by Architectural Testing, Inc., dated 10/02/13, signed and sealed by Vinu J. Abraham, P.E.
(Submitted under NOA No. 13-0822.06)
7. Laboratory compliance letter for Test Report No. **ATI-C5136.01-801-18**, issued by Architectural Testing, Inc., dated 07/26/13, signed and sealed by Vinu J. Abraham, P.E.
(Submitted under NOA No. 13-0822.06)
8. Proposal No. **13-0080R**, issued by the Product Control Section, dated 02/27/13, revised on 06/17/13, signed by Manuel Perez, P.E.
(Submitted under NOA No. 13-0822.06)

G. OTHERS

1. Notice of Acceptance No. **15-0316.02**, issued to QuikServ Corp. for their Series “BP-7241E-IP & BP-7236E-IP Commercial Aluminum Pass-Through Window – L.M.I.”, approved on 04/09/15 and expiring on 11/28/18.



Ishaq I. Chanda, P.E.
Product Control Unit Supervisor
NOA No. 21-0205.08
Expiration Date: November 28, 2023
Approval Date: May 06, 2021

QuikServ Corp.

NOTICE OF ACCEPTANCE: EVIDENCE SUBMITTED

2. **EVIDENCE SUBMITTED under previous submittal**
 - A. **DRAWINGS**
 1. None.
 - B. **TESTS**
 1. None
 - C. **CALCULATIONS**
 1. None
 - D. **QUALITY ASSURANCE**
 1. Miami-Dade Department of Regulatory and Economic Resources (RER)
 - E. **MATERIAL CERTIFICATIONS**
 1. Notice of Acceptance No. **16-1117.01** issued to **Kuraray America, Inc.** for their “**Trosifol® Ultraclear, Clear and Color PVB Glass Interlayers**” dated 01/19/17, expiring on 07/08/19.
 - F. **STATEMENTS**
 1. Statement letter of conformance, complying with **FBC 5th Edition (2014)** and **FBC 6th Edition (2017)**, dated July 17, 2017, issued by Tilteco, Inc., signed and sealed by Walter A. Tillit, Jr., P.E.
 - G. **OTHERS**
 1. Notice of Acceptance No. **17-0731.02**, issued to QuikServ Corp. for their Series “**BP-7241E-IP & BP-7236E-IP Commercial Aluminum Pass-Through Window – L.M.I.**”, approved on 09/07/17 and expiring on 11/28/18.



Ishaq I. Chanda, P.E.
Product Control Unit Supervisor
NOA No. 21-0205.08
Expiration Date: November 28, 2023
Approval Date: May 06, 2021

QuikServ Corp.

NOTICE OF ACCEPTANCE: EVIDENCE SUBMITTED

3. NEW EVIDENCE SUBMITTED

A. DRAWINGS

1. Drawing No. **21-023** (former **17-079**), titled “Aluminum Commercial Pass–Thru Windows– Large Missile Impact Resistant”, sheets 1 thru 8, 8A, 9 thru 15 of 15, dated 01/21/2021, prepared by Tilteco, Inc., signed and sealed by Walter A. Tillit, Jr., P.E.

B. TESTS

1. None

C. CALCULATIONS

1. None

D. QUALITY ASSURANCE

1. Miami-Dade Department of Regulatory and Economic Resources (RER)

E. MATERIAL CERTIFICATIONS

1. Notice of Acceptance No. **20-0915.28** issued to Kuraray America, Inc. (former E.I. DuPont DE Nemours & Co., Inc.) for “**Trosifol**: Ultra clear, clear & color PVB glass interlayer” (former “Kuraray **Butacite** PVB Interlayer”), expiring on 07/08/24.

F. STATEMENTS

1. Statement letter of conformance, complying with FBC 2020 (7th Edition), dated January 11, 2021, issued by Tilteco, Inc., signed and sealed by Walter A. Tillit, Jr., P.E.

G. OTHERS

1. This NOA revises NOA No. **18-0814.01**, expiring **11/28/23**.



Ishaq I. Chanda, P.E.
Product Control Unit Supervisor
NOA No. 21-0205.08
Expiration Date: November 28, 2023
Approval Date: May 06, 2021

GENERAL NOTES:

1. COMMERCIAL PASS-THRU WINDOWS, LARGE MISSILE IMPACT RESISTANT, SHOWN ON THIS PRODUCT APPROVAL DOCUMENT (P.A.D.) HAVE BEEN VERIFIED FOR COMPLIANCE IN ACCORDANCE WITH THE 2020 (7th EDITION) OF THE FLORIDA BUILDING CODE. COMMERCIAL PASS-THRU WINDOWS, LARGE MISSILE IMPACT RESISTANT, MAY BE INSTALLED AT HIGH VELOCITY HURRICANE ZONES.

DESIGN WIND LOADS SHALL BE DETERMINED AS PER SECTION 1620 OF THE ABOVE MENTIONED CODE, USING ASCE 7-16 AND SHALL NOT EXCEED THE MAXIMUM (A.S.D.) DESIGN PRESSURE RATINGS INDICATED ON NOTE 2.

IN ORDER TO VERIFY THE ABOVE CONDITION, ULTIMATE DESIGN WIND LOADS DETERMINED PER ASCE 7-16 SHALL BE FIRST REDUCED TO A.S.D. DESIGN WIND LOADS BY MULTIPLYING THEM BY 0.6 IN ORDER TO COMPARE THESE W/ MAX. (A.S.D) DESIGN PRESSURE RATINGS INDICATED ON NOTE 2.

IN ORDER TO VERIFY THAT ANCHORS ON THIS P.A.D., AS TESTED, WERE NOT OVERSTRESSED, A 33% INCREASE IN ALLOWABLE STRESS FOR WIND LOADS WAS NOT USED IN THEIR ANALYSIS. FASTENERS SPACING TO WOOD HAS BEEN DETERMINED IN ACCORDANCE WITH N.D.S. 2018. THESE COMMERCIAL PASS-THRU WINDOWS' ADEQUACY FOR IMPACT AND FATIGUE RESISTANCE HAS BEEN VERIFIED IN ACCORDANCE WITH SECTION 1626 OF THE ABOVE MENTIONED CODE AS PER PROTOCOLS TAS-201, TAS-202, TAS-203 PROTOCOLS, PER A.T.I. LAB REPORT # C5136.01-801-18 AND AS PER SUBMITTED STRUCTURAL CALCULATIONS, PERFORMED AS PER SECTION 1616 OF THE FLORIDA BUILDING CODE.

2. MAX. A.S.D. DESIGN PRESSURE RATING FOR THESE COMMERCIAL PASS-THRU WINDOWS IS:
+ 70, - 80 P.S.F.

3. THESE COMMERCIAL PASS-THRU WINDOWS WILL NOT REQUIRE A HURRICANE PROTECTION DEVICE ON INSTALLATIONS UP TO 30 FEET ABOVE GRADE.

4. THESE COMMERCIAL PASS-THRU WINDOWS ARE APPROVED FOR AIR AND WATER INFILTRATION.

5. ALL COMPONENTS SHALL BE AS INDICATED ON BILL OF MATERIALS ON SHEET 14 AND COMPONENTS DESCRIPTION ON SHEETS 11, 12 & 13.

6. WOOD BUCKS BY OTHERS, MUST BE ANCHORED PROPERLY TO TRANSFER LOADS TO THE BUILDING STRUCTURE. WOOD BUCKS MUST BE SOUTHERN PINE, G = 0.55.

7. ALL ALUMINUM IN CONTACT WITH DISSIMILAR MATERIALS SHALL COMPLY WITH SECTION III-6 OF THE 2015 ALUMINUM DESIGN MANUAL.

8. ANCHOR NOTES: EMBEDMENT AND EDGE DISTANCE ARE BEYOND ANY FINISH.
 (A) TO EXISTING POURED CONCRETE: (MIN. f'c = 3000 PSI), MIN. EDGE DISTANCE (E.D.) = 3".
 - 1/4"Ø TAPCON ANCHORS W/ 1" MIN. EMBEDMENT, AS MANUFACTURED BY ITW/BUILDEX, INC., THRU 1" P.T. WOOD BUCK (IF APPLICABLE).

(B) TO EXISTING A.S.T.M. C-90 CONCRETE BLOCK WALL. MIN. EDGE DISTANCE (E.D.) = 2".
 - 1/4"Ø TAPCON ANCHORS W/ 1" MIN. EMBEDMENT, AS MANUFACTURED BY ITW/BUILDEX, INC., THRU 1" P.T. WOOD BUCK (IF APPLICABLE).

(C) TO EXISTING DOUBLE 2x P.T. WOOD BUCK. MIN. EDGE DISTANCE (E.D.) = 1".
 - 1/4"Ø WOOD SCREWS W/ 3" MIN. THREADED PENETRATION, TO COMPLY W/ NDS 2015.

(D) TO EXISTING MIN. 1/8" THICK ALUMINUM TUBE (6063-T5 ALLOY) MIN. EDGE DISTANCE (E.D.) = 1/2".
 - 1/4"Ø TEK SCREWS, AS MANUFACTURED BY ITW/BUILDEX, INC.

(E) TO EXISTING MIN. 18 GAGE STEEL MEMBER (ASTM A-500, A-653 OR A-36) MIN. EDGE DISTANCE (E.D.) = 1/2".
 - 1/4"Ø TEK SCREWS, AS MANUFACTURED BY ITW/BUILDEX, INC.

9. PROVIDE 1/4" MAX. LOAD BEARING SHIM, WHEN ALLOWED BY THIS DRAWING.

10. PRODUCT MANUFACTURER'S LABEL SHALL BE LOCATED ON A READILY VISIBLE LOCATION AT PRODUCT IN ACCORDANCE WITH SECTION 1709.5 OF THE FLORIDA BUILDING CODE. ONE LABEL SHALL BE PLACED FOR EVERY OPENING.

11. (a) THIS P.A.D. PREPARED BY THIS ENGINEER IS GENERIC AND DOES NOT PROVIDE INFORMATION FOR A SITE SPECIFIC PROJECT; i.e. WHERE THE SITE CONDITIONS DEVIATE FROM THE P.A.D.

(b) CONTRACTOR TO BE RESPONSIBLE FOR THE SELECTION, PURCHASE AND INSTALLATION INCLUDING LIFE SAFETY OF THIS PRODUCT, BASED ON THIS P.A.D., PROVIDED HE/SHE DOES NOT DEVIATE FROM THE CONDITIONS DETAILED ON THIS DOCUMENT. CONSTRUCTION SAFETY AT SITE IS THE CONTRACTOR'S RESPONSIBILITY.

(c) THIS P.A.D. WILL BE CONSIDERED INVALID IF ALTERED BY ANY MEANS.

(d) SITE SPECIFIC PROJECTS SHALL BE PREPARED BY A FLORIDA REGISTERED ENGINEER OR ARCHITECT WHICH WILL BECOME THE ENGINEER OF RECORD (E.O.R.) FOR THE PROJECT AND WHO WILL BE RESPONSIBLE FOR THE PROPER USE OF THE P.A.D. ENGINEER OF RECORD, ACTING AS DELEGATED ENGINEER TO THE P.A.D. ENGINEER, SHALL SUBMIT TO THIS LATTER THE SITE SPECIFIC DRAWINGS FOR REVIEW.

(e) ORIGINAL P.A.D. SHALL BEAR THE DATE AND ORIGINAL SEAL AND SIGNATURE OF THE PROFESSIONAL ENGINEER OF RECORD THAT PREPARED IT.

SHEET #	TABLE OF CONTENTS
	DESCRIPTION
1	GENERAL NOTES
2	IMPACT WINDOWS EXTERIOR ELEVATIONS
3	BP-7241E-IP WINDOW TYPE 1 (OXXO)
4	BP-7241E-IP WINDOW TYPE 1 (OXXO)
5	BP-7236E-IP WINDOW TYPE 2 (OXXO)
6	BP-7236E-IP WINDOW TYPE 2 (OXXO)
7	GLAZING DETAILS
8	DOOR - HEADER & SILL CONNECTIONS
8A	DOOR - HEADER CONNECTION (CONTINUED)
9	ANCHOR INSTALLATION / LAYOUT
10	ANCHOR SCHEDULE
11	STEEL ASSEMBLY COMPONENTS
12	STEEL ASSEMBLY COMPONENTS (CONTINUED)
13	ALUMINUM EXTRUSIONS COMPONENTS
14	BILL OF MATERIALS
15	SASH INSTALLATION DETAILS

THIS DRAWING SHALL ONLY BE USED TO OBTAIN PERMITS IN THE STATE OF FLORIDA

PRODUCT REVIEWED
 as complying with the Florida
 Building Code
 Acceptance No. 21-0205-02
 Expiration Date Nov 28, 2021
 [Signature]
 Miami Dade County

WALTER A. TILLIT JR.
 LICENSE
 No. 44167
 STATE OF
 FLORIDA
 PROFESSIONAL ENGINEER
 [Signature]
 1/21/2024
 P.E. SEAL/SIGNATURE/DATE

© 2021 TILTECO INC.
TILTECO INC.
 TILLIT TESTING & ENGINEERING COMPANY
 6355 N.W. 36th St., Ste. 305, VIRGINIA GARDENS, FL 33166
 Phone : (305)871-1530 . Fax : (305)871-1531
 e-mail: tiltco@aol.com
 CA-0006719
 WALTER A. TILLIT Jr. P.E.
 FLORIDA Lic. # 44167

FLORIDA BUILDING CODE (HIGH VELOCITY HURRICANE ZONE)

ALUMINUM COMMERCIAL PASS-THRU WINDOWS LARGE MISSILE IMPACT RESISTANT		DRAWN BY M.P.	
QUIKSERV CORP. 11441 BRITTMORE PARK DRIVE, HOUSTON, TEXAS 77041 PHONE: (713) 937-3437 FAX: (713) 937-9765		01/19/2021 DATE	
		21-023 DRAWING No	
REV. No	DESCRIPTION	DATE	REV. No
1	OLD 17-078	01/19/21	3
2			4

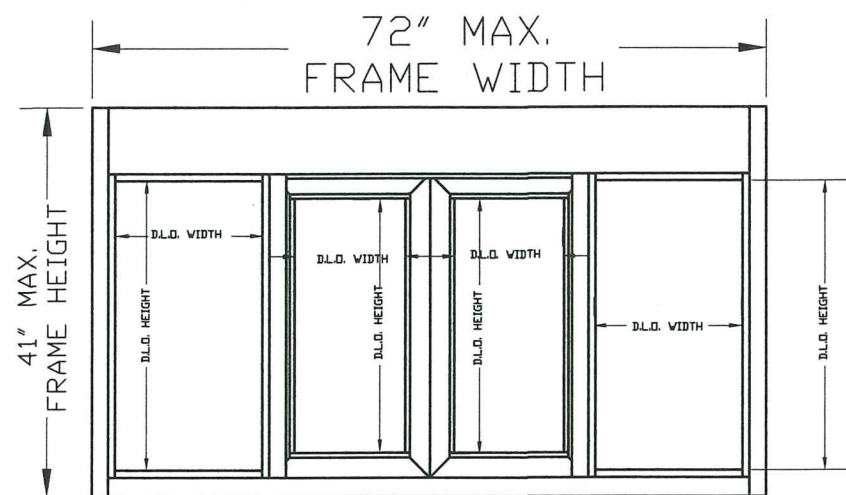
SHEET 1 OF 15

QUIKSERV

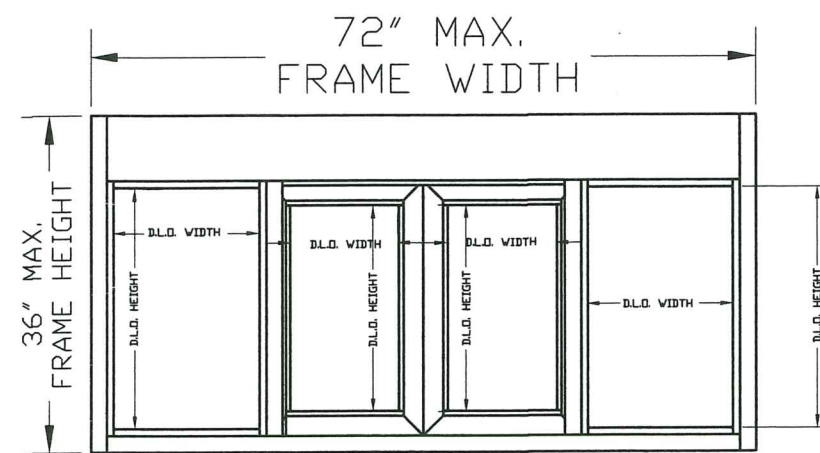
COMMERCIAL PASS-THRU WINDOWS

LARGE MISSILE IMPACT RESISTANT

EXTERIOR ELEVATIONS



BP-7241E-IP
WINDOW TYPE 1 (OXXO)
 N.T.S.



BP-7236E-IP
WINDOW TYPE 2 (OXXO)
 N.T.S.

MODEL	WINDOW TYPE	ACTUAL FRAME MAX. DIMENSION	MAX. D.L.O. DIMENSIONS	GLAZING TYPE
BP-7241E-IP	1	72"(W) X 41"(H)	(O) 15-1/4"(W) X 30-1/4"(H) (X) 10-5/8"(W) X 25-3/4"(H) (X) 10-5/8"(W) X 25-3/4"(H) (O) 15-1/4"(W) X 30-1/4"(H)	SEE PAGE 7 of 15
BP-7236E-IP	2	72"(W) X 36"(H)	(O) 15-1/4"(W) X 25-1/4"(H) (X) 10-5/8"(W) X 20-3/4"(H) (X) 10-5/8"(W) X 20-3/4"(H) (O) 15-1/4"(W) X 25-1/4"(H)	

PRODUCT REVISED
 as complying with the Florida Building Code
 Acceptance No 21-0205-08
 Expiration Date 11/28/21

 MIAMI DADE COUNTY

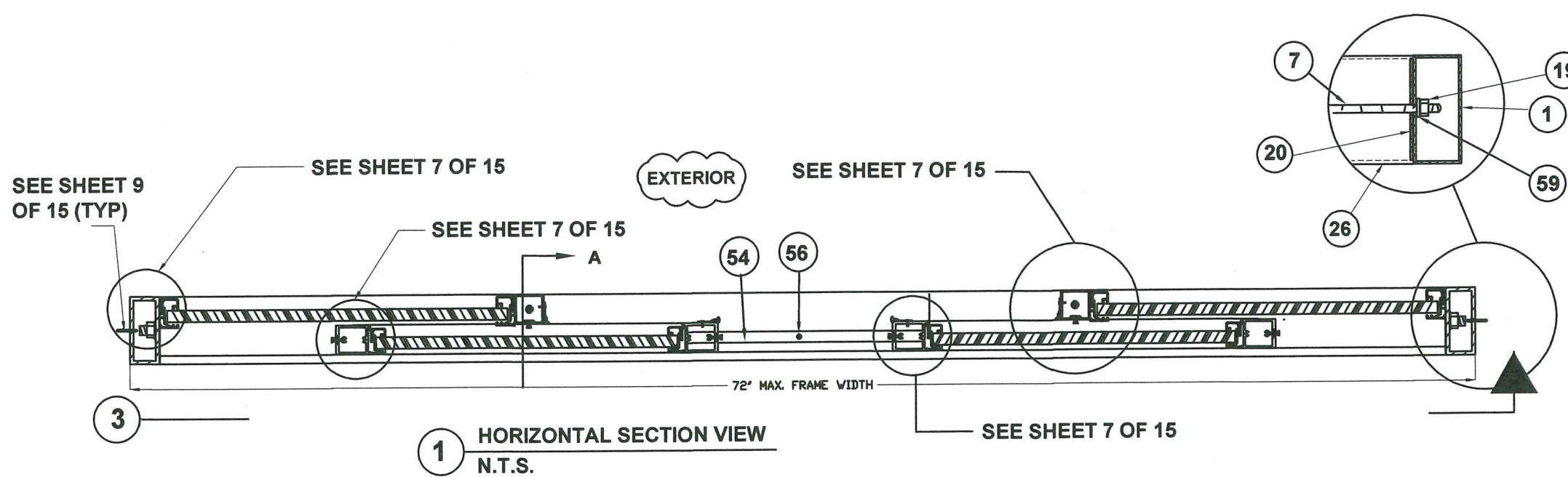
FLORIDA BUILDING CODE (HIGH VELOCITY HURRICANE ZONE)

WALTER A. TILLIT JR.
 LICENSE No. 44167
 STATE OF FLORIDA
 PROFESSIONAL ENGINEER
 SEAL/SIGNATURE/DATE

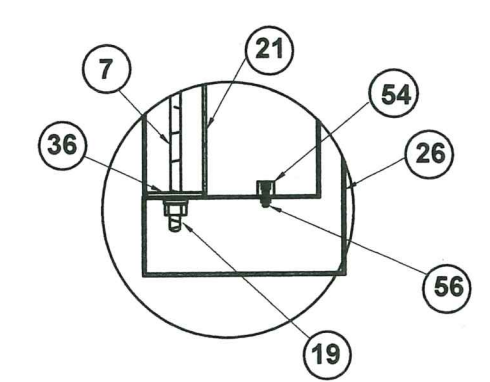
© 2021 TILTECO INC.

TILTECO INC.
 TILLIT TESTING & ENGINEERING COMPANY
 6355 N.W. 36th St., Ste. 305, VIRGINIA GARDENS, FL 33166
 Phone : (305)871-1530 . Fax : (305)871-1531
 e-mail: tilteco@aol.com
 CA-0006719
 WALTER A. TILLIT Jr. P.E.
 FLORIDA Lic. # 44167

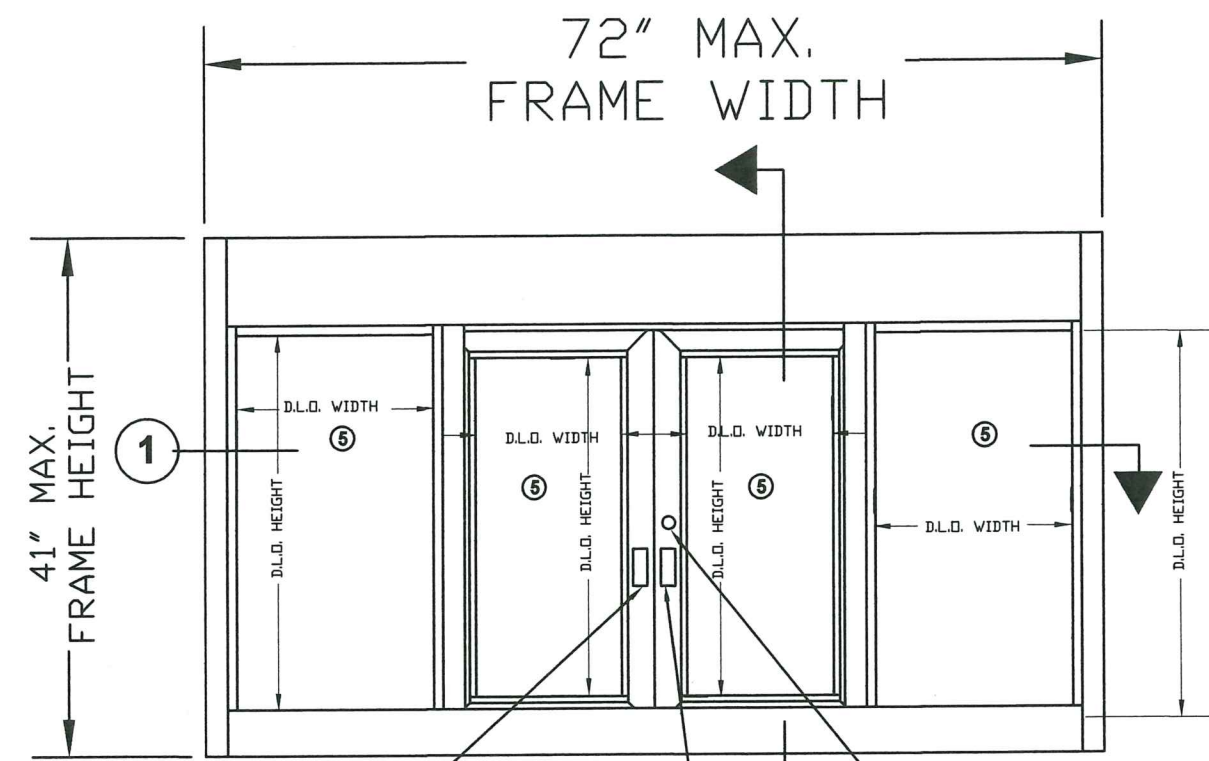
ALUMINUM COMMERCIAL PASS-THRU WINDOWS LARGE MISSILE IMPACT RESISTANT		DRAWN BY M.P.	
QUIKSERV CORP.		01/19/2021 DATE	
11441 BRITTMORE PARK DRIVE, HOUSTON, TEXAS 77041		21-023 DRAWING No	
PHONE: (713) 937-3437 FAX: (713) 937-9765		SHEET 2 OF 15	
REV. No	DESCRIPTION	DATE	REV. No
1	OLD 17-079	01/19/21	3
2			4



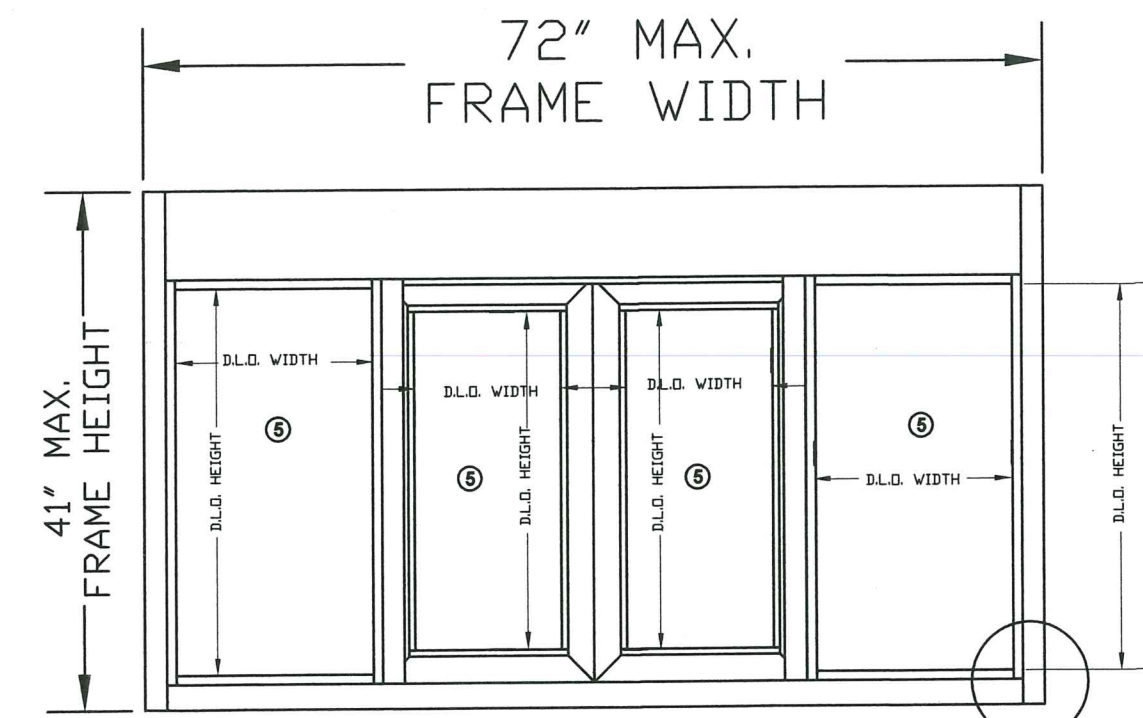
1 HORIZONTAL SECTION VIEW
N.T.S.



SECTION A-A



3 INTERIOR VIEW
N.T.S.



EXTERIOR VIEW (OXO)
BP-7241E-IP
N.T.S. SEE DETAIL A

WINDOW TYPE 1 (OXO)
BP-7241E-IP
N.T.S.

PRODUCT REVISED
as complying with the Florida
Building Code
Acceptance No **21-0205-08**
Expiration Date **11/28/21**
Isangil Chandra
Miami Door Product Control
MIAMI DADE COUNTY

FLORIDA BUILDING CODE (HIGH VELOCITY HURRICANE ZONE)

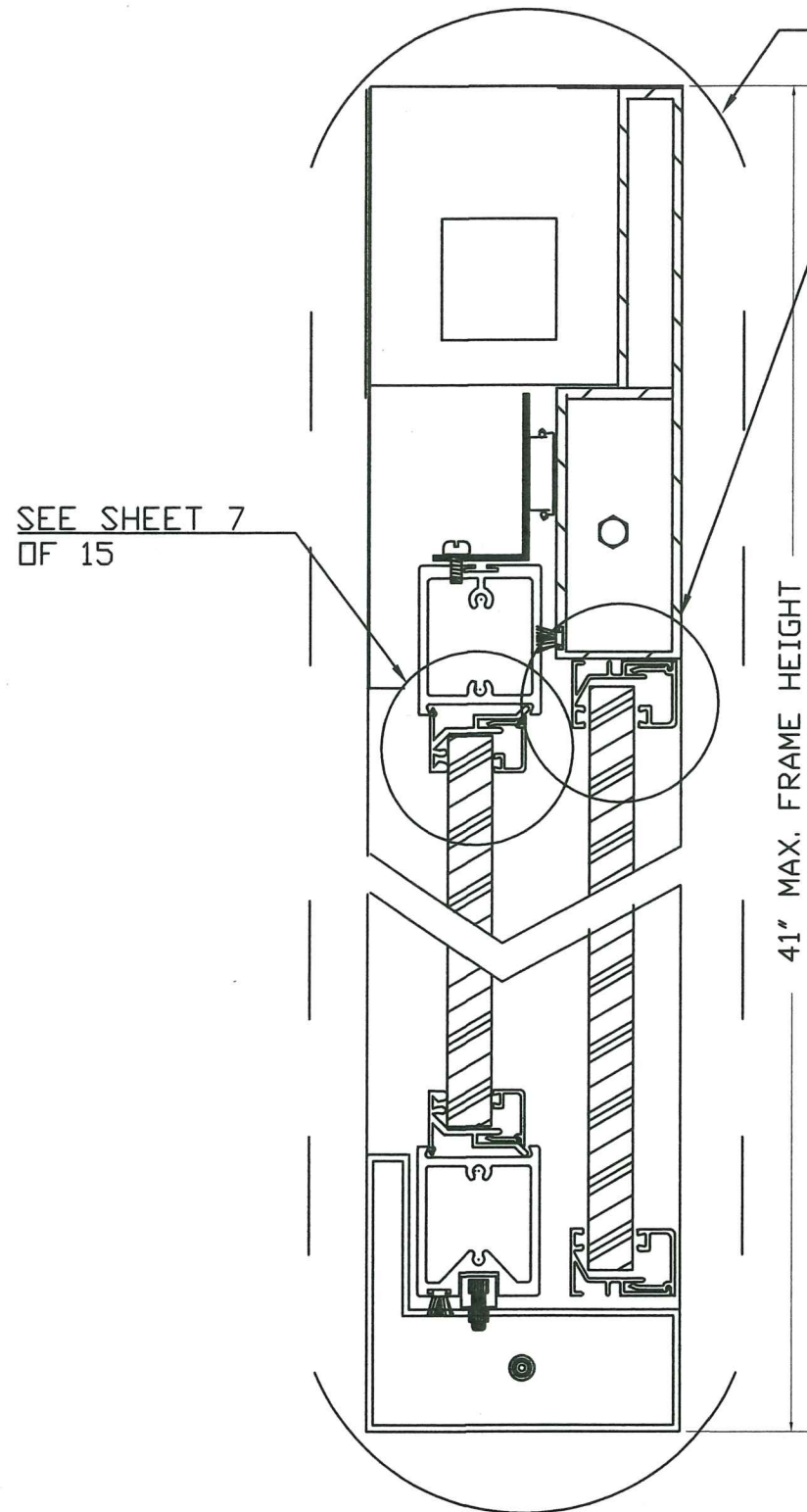
WALTER A. TILLIT JR.
LICENSE
No. 44167
STATE OF FLORIDA
PROFESSIONAL ENGINEER
Walter A. Tillit Jr.
SEAL/SIGNATURE/DATE

© 2021 TILTECO INC.
TILTECO INC.
TILLIT TESTING & ENGINEERING COMPANY
6355 N.W. 36th St., Ste. 305, VIRGINIA GARDENS, FL 33166
Phone : (305)871-1530 . Fax : (305)871-1531
e-mail: tilteco@aol.com
CA-0006719
WALTER A. TILLIT Jr. P.E.
FLORIDA Lic. # 44167

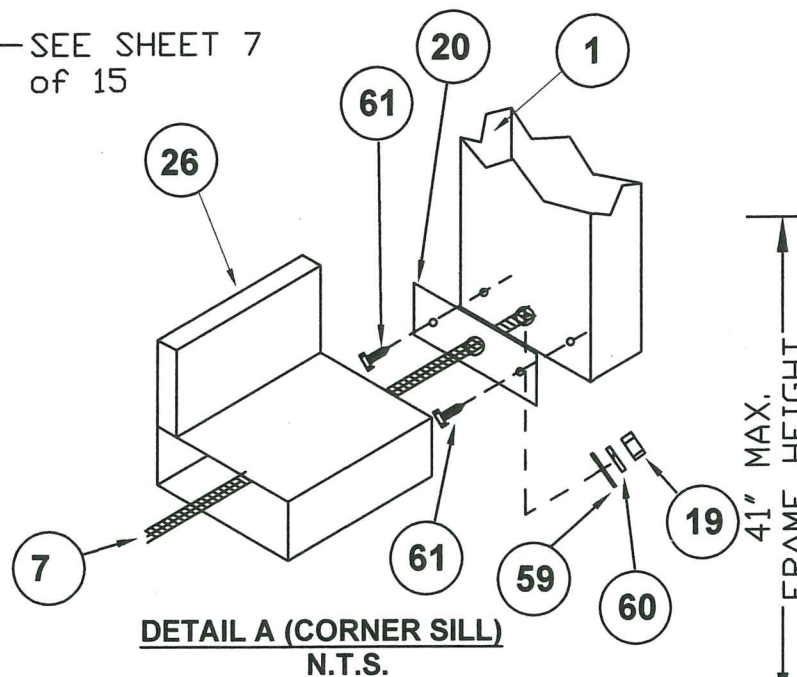
ALUMINUM COMMERCIAL PASS-THRU WINDOWS
LARGE MISSILE IMPACT RESISTANT
QUIKSERV CORP.
11441 BRITTMORE PARK DRIVE,
HOUSTON, TEXAS 77041
PHONE: (713) 937-3437 FAX: (713) 937-9765

REV. No	DESCRIPTION	DATE	REV. No	DESCRIPTION	DATE
1	OLD 17-079	01/19/21	3		
2			4		

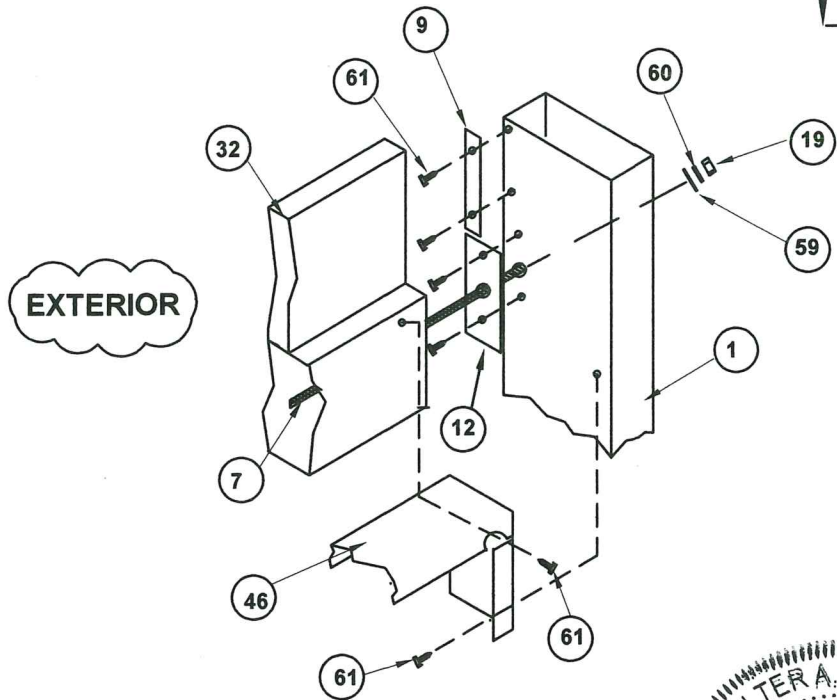
DRAWN BY
M.P.
01/19/2021
DATE
21-023
DRAWING No
SHEET 3 OF 15



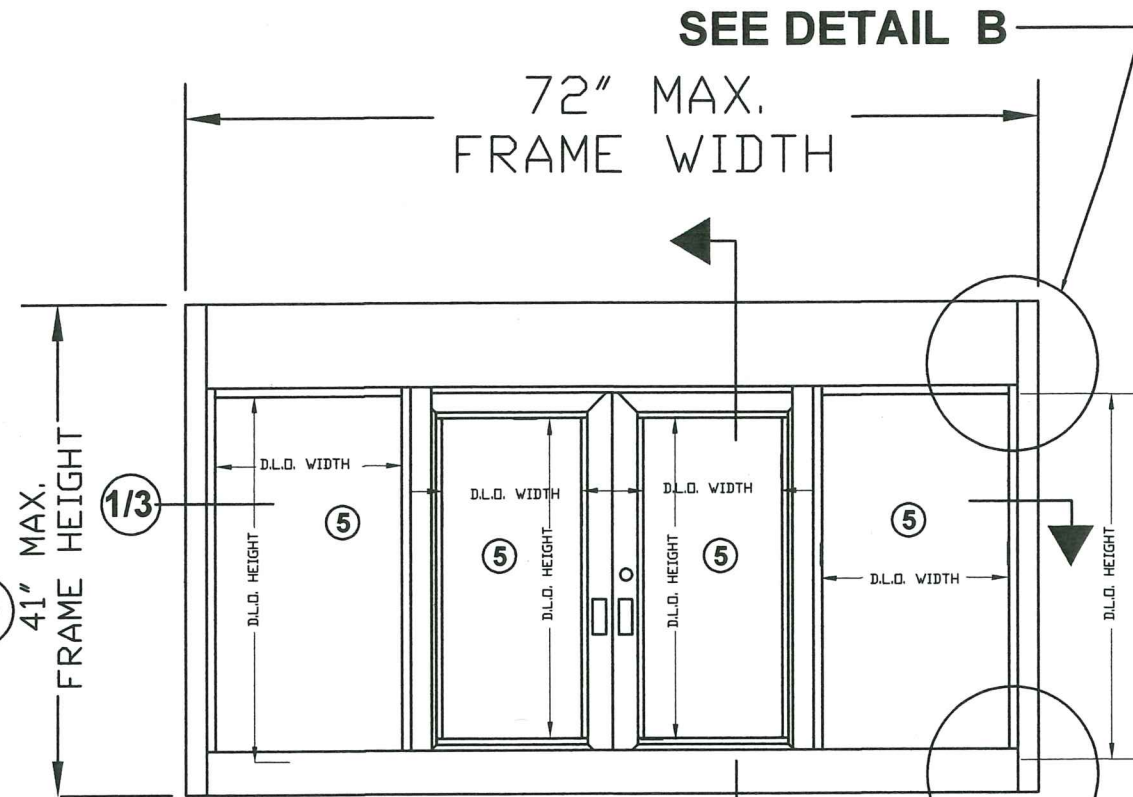
2 VERTICAL SECTION VIEW
N.T.S.



DETAIL A (CORNER SILL)
N.T.S.



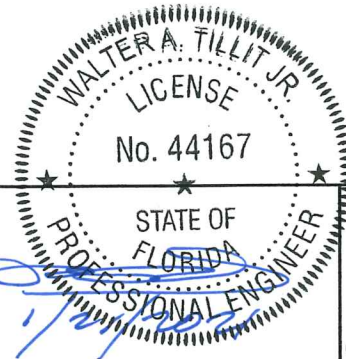
DETAIL B (CORNER HEAD)
N.T.S.



3 INTERIOR VIEW
N.T.S.
WINDOW TYPE 1 (OXXO)
BP-7241E-IP
(CONTINUED)

SEE DETAIL A

PRODUCT REVISED
as complying with the Florida
Building Code
Acceptance No. 21-0205-08
Expiration Date 11/28/21
Walter A. Tillit Jr.
Product Control
MIAMI DADE COUNTY



P.E. SEAL/SIGNATURE/DATE

© 2021 TILTECO INC.

TILTECO INC.
TILLIT TESTING & ENGINEERING COMPANY
6355 N.W. 36th St., Ste. 305, VIRGINIA GARDENS, FL 33166
Phone : (305)871-1530 . Fax : (305)871-1531
e-mail: tilteco@aol.com
CA-0006719
WALTER A. TILLIT Jr. P.E.
FLORIDA Lic. # 44167

FLORIDA BUILDING CODE (HIGH VELOCITY HURRICANE ZONE)

ALUMINUM COMMERCIAL PASS-THRU WINDOWS
LARGE MISSILE IMPACT RESISTANT

QUIKSERV CORP.

11441 BRITTMORE PARK DRIVE,
HOUSTON, TEXAS 77041

PHONE: (713) 937-3437 FAX: (713) 937-9765

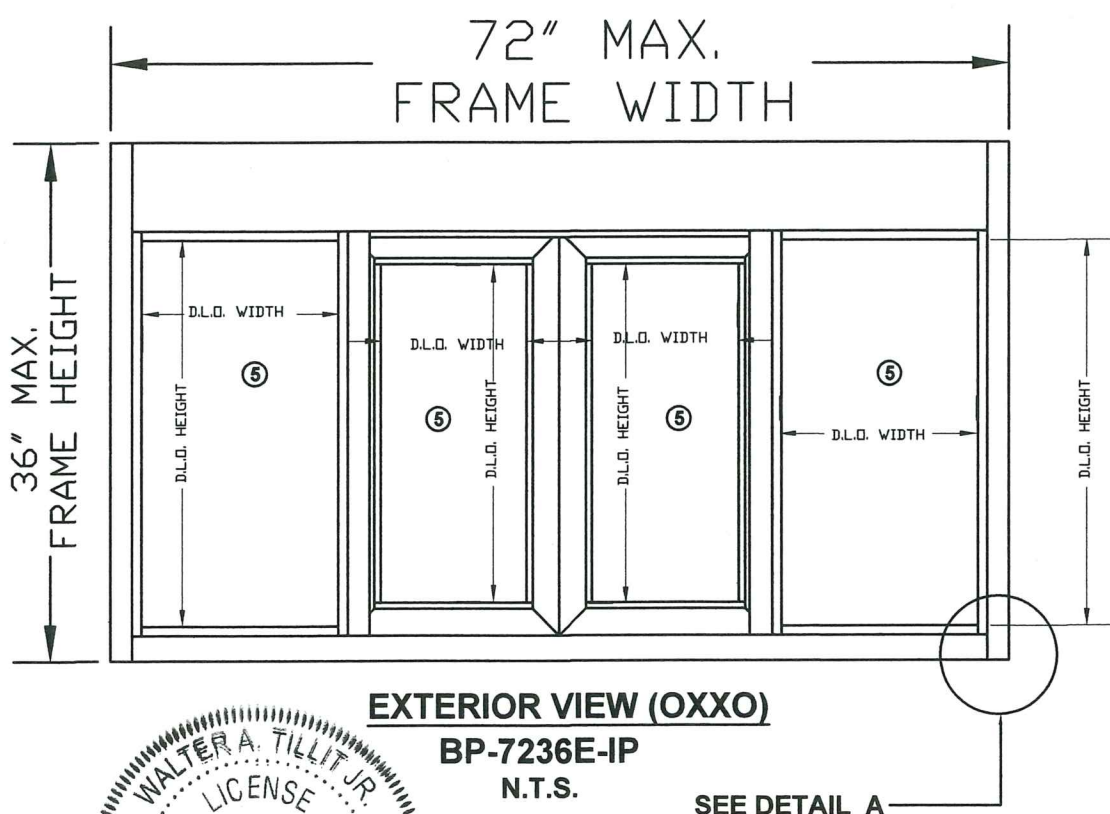
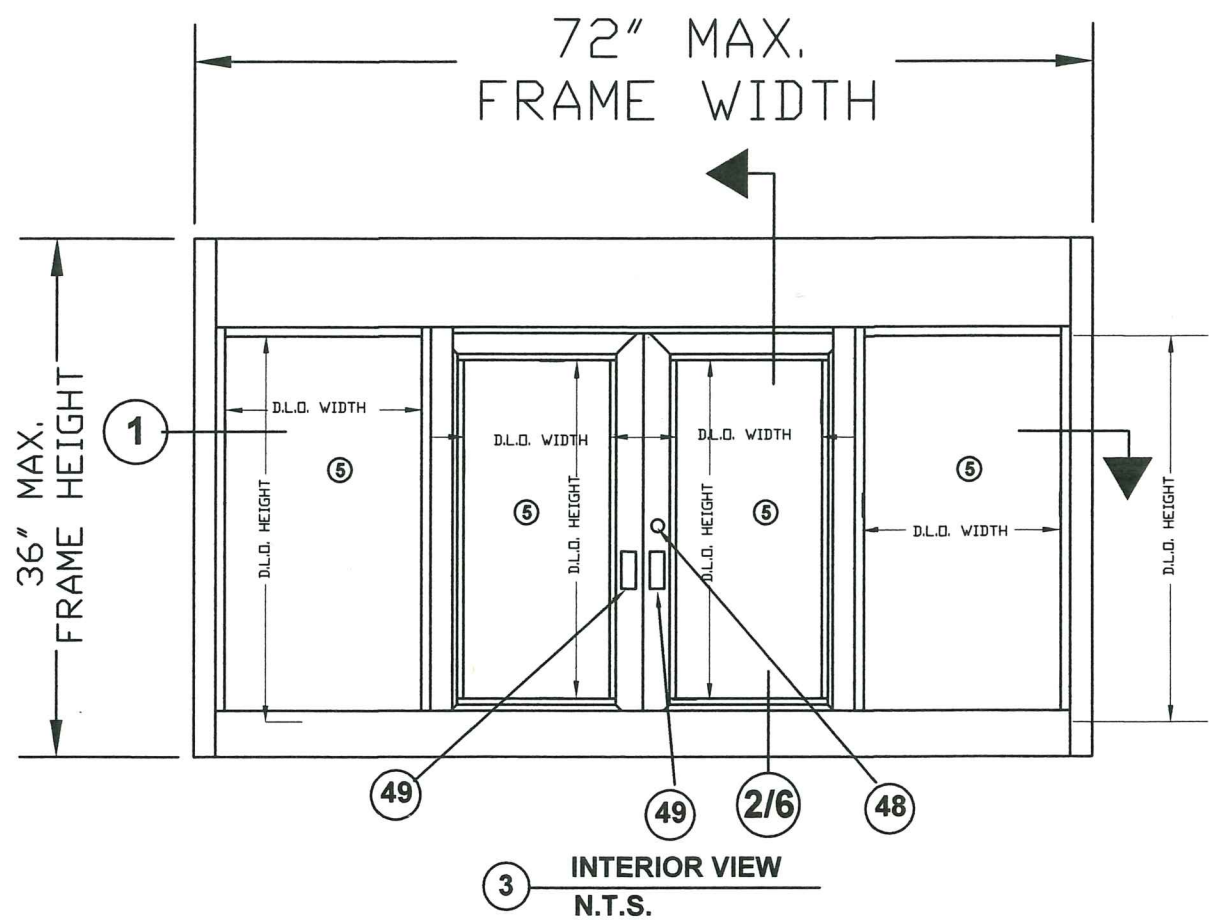
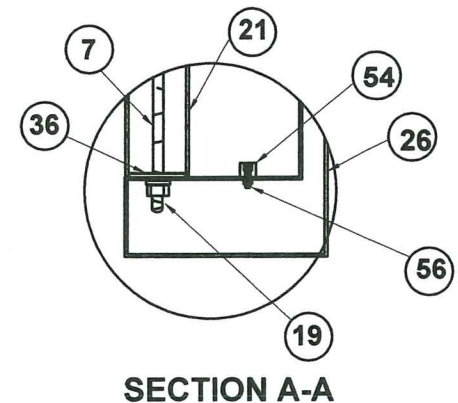
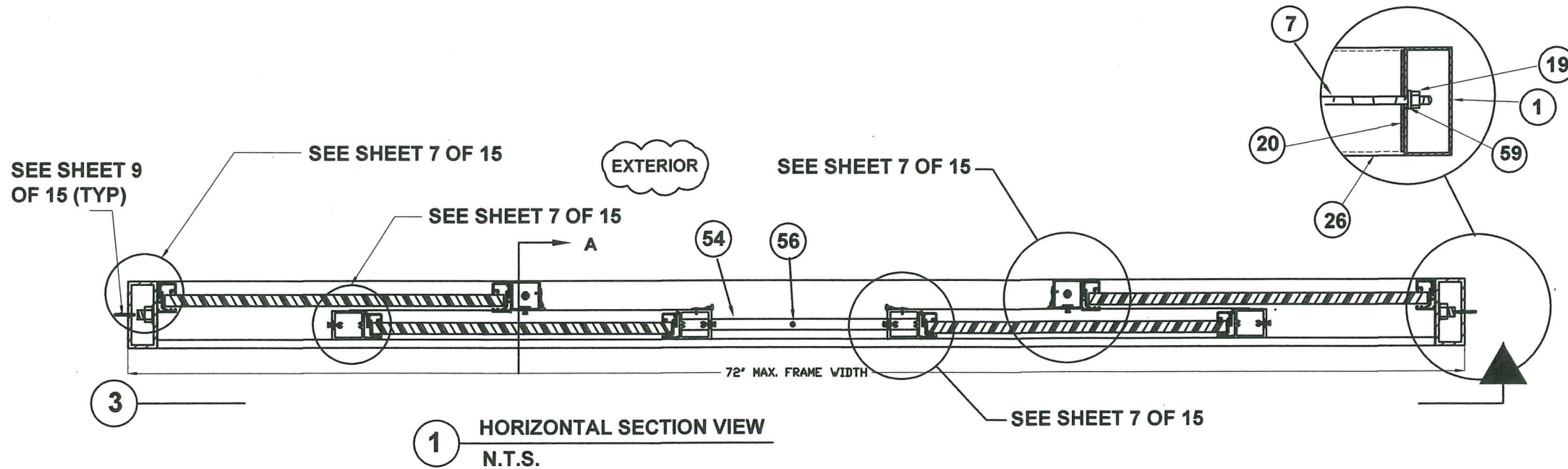
REV. No	DESCRIPTION	DATE	REV. No	DESCRIPTION	DATE
1	OLD 17-078	01/19/21	3		
2			4		

DRAWN BY
M.P.

01/19/2021
DATE

21-023
DRAWING No

SHEET 4 OF 15



WINDOW TYPE 2 (OXXO)
BP-7236E-IP
 N.T.S.

EXTERIOR VIEW (OXXO)
BP-7236E-IP
 N.T.S.

PRODUCT REVISED
 as complying with the Florida
 Building Code
 Acceptance No 21-0205-08
 Expiration Date 11/28/21
Walter A. Tillit Jr.
 Miami Dade Product Control
 MIAMI DADE COUNTY



P.E. SEAL/SIGNATURE/DATE

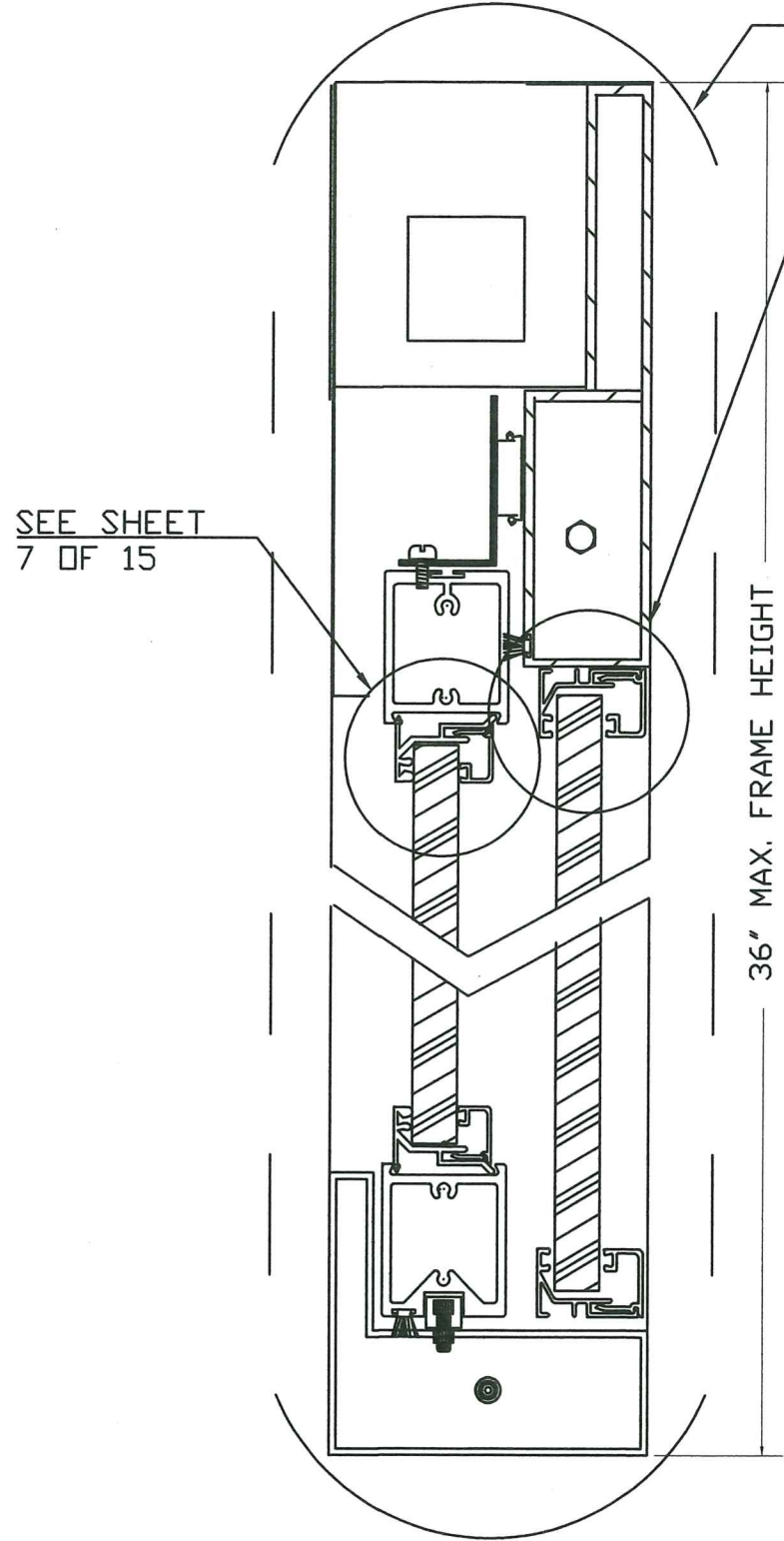
© 2021 TILTECO INC.
TILTECO inc.
 TILLIT TESTING & ENGINEERING COMPANY
 6355 N.W. 36th St., Ste. 305, VIRGINIA GARDENS, FL 33166
 Phone : (305)871-1530 . Fax : (305)871-1531
 e-mail: tilteco@aol.com
 CA-0006719
 WALTER A. TILLIT Jr. P.E.
 FLORIDA Lic. # 44167

ALUMINUM COMMERCIAL PASS-THRU WINDOWS
 LARGE MISSILE IMPACT RESISTANT
QUIKSERV CORP.
 11441 BRITTMORE PARK DRIVE,
 HOUSTON, TEXAS 77041
 PHONE: (713) 937-3437 FAX: (713) 937-9765

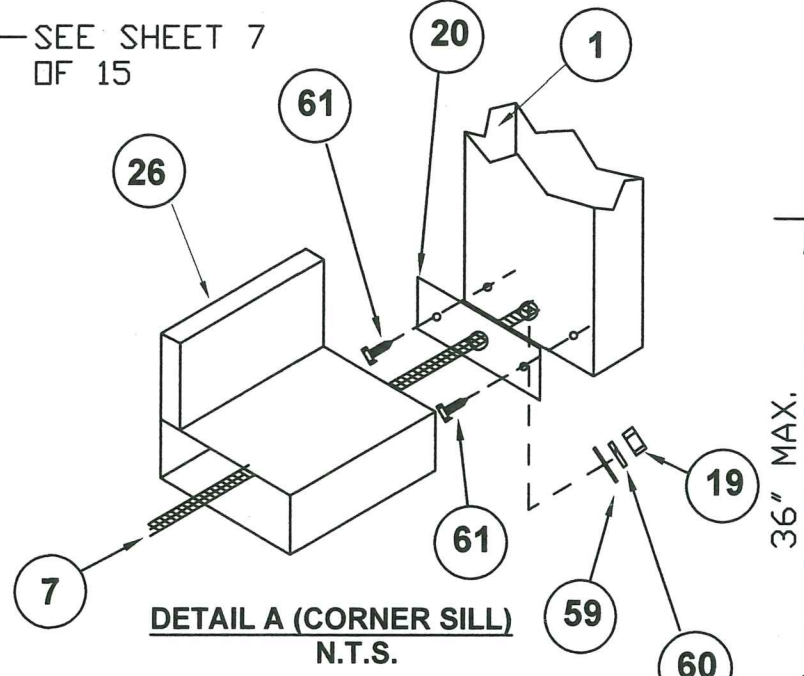
REV. No	DESCRIPTION	DATE	REV. No	DESCRIPTION	DATE
1	OLD 17-078	01/19/21	3		
2			4		

DRAWN BY
 M.P.
 01/19/2021
 DATE
21-023
 DRAWING No
 SHEET 5 OF 15

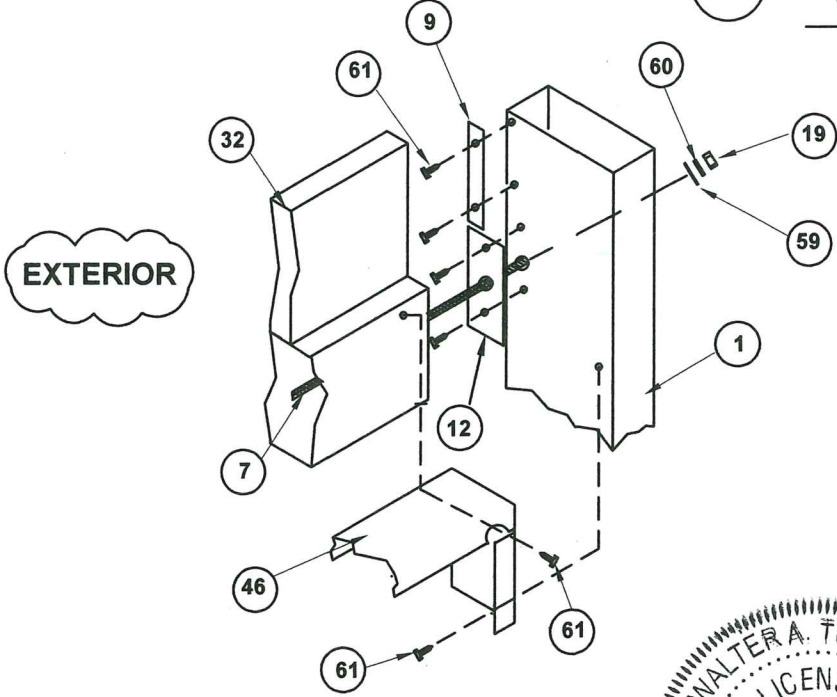
FLORIDA BUILDING CODE (HIGH VELOCITY HURRICANE ZONE)



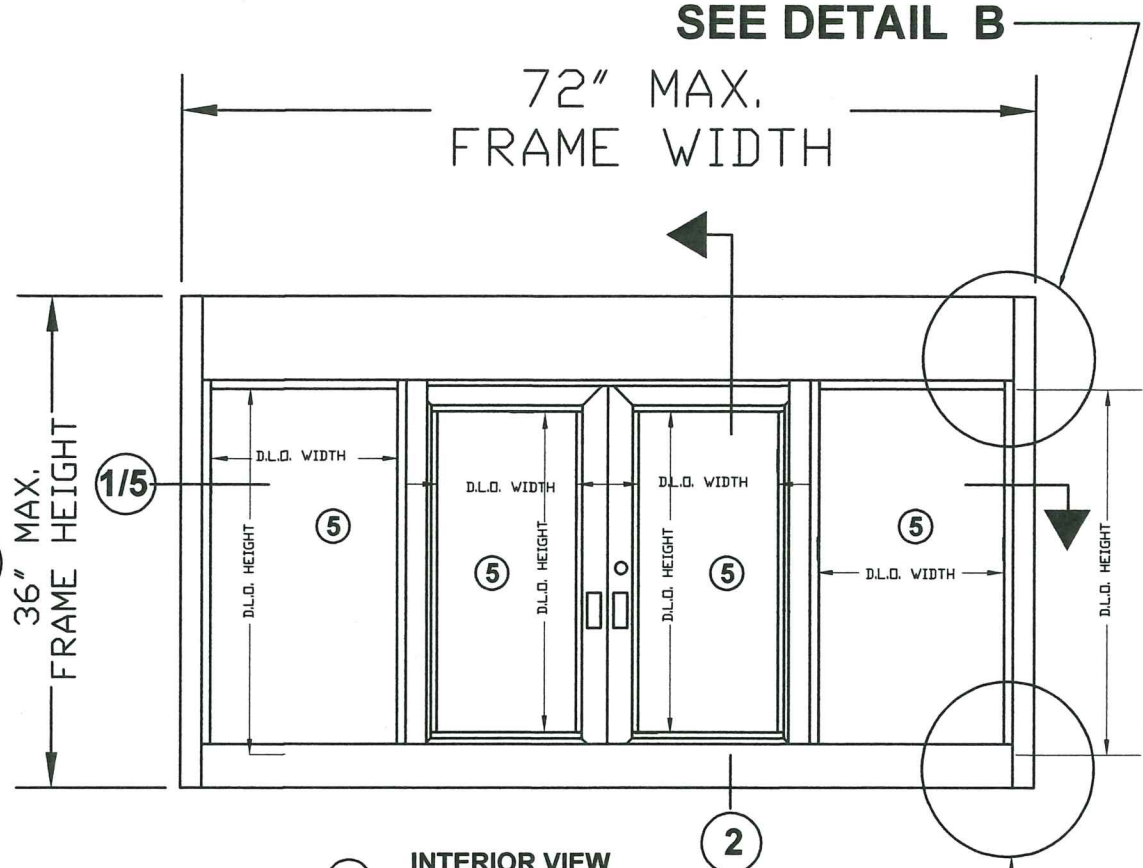
2 VERTICAL SECTION VIEW
N.T.S.



DETAIL A (CORNER SILL)
N.T.S.



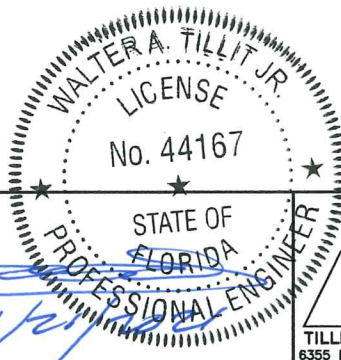
DETAIL B (CORNER HEAD)
N.T.S.



3 INTERIOR VIEW
N.T.S.
WINDOW TYPE 2 (OXXO)
BP-7236E-IP
(CONTINUED)

SEE DETAIL A

PRODUCT REVIEWED
as complying with the Florida
Building Code
Acceptance No. 21-0205-08
Expiration Date 11/28/21
Isaac I. Khan
Miami Code Product Control
MIAMI DADE COUNTY



P.E. SEAL/SIGNATURE/DATE

© 2021 TILTECO INC.

TILTECO INC.

TILLIT TESTING & ENGINEERING COMPANY
6355 N.W. 36th St., Ste. 305, VIRGINIA GARDENS, FL 33166
Phone : (305)871-1530 . Fax : (305)871-1531
e-mail: tilteco@aol.com
CA-0006719
WALTER A. TILLIT Jr. P.E.
FLORIDA Lic. # 44167

FLORIDA BUILDING CODE (HIGH VELOCITY HURRICANE ZONE)

ALUMINUM COMMERCIAL PASS-THRU WINDOWS
LARGE MISSILE IMPACT RESISTANT

QUIKSERV CORP.

11441 BRITTMORE PARK DRIVE,
HOUSTON, TEXAS 77041

PHONE: (713) 937-3437 FAX: (713) 937-9765

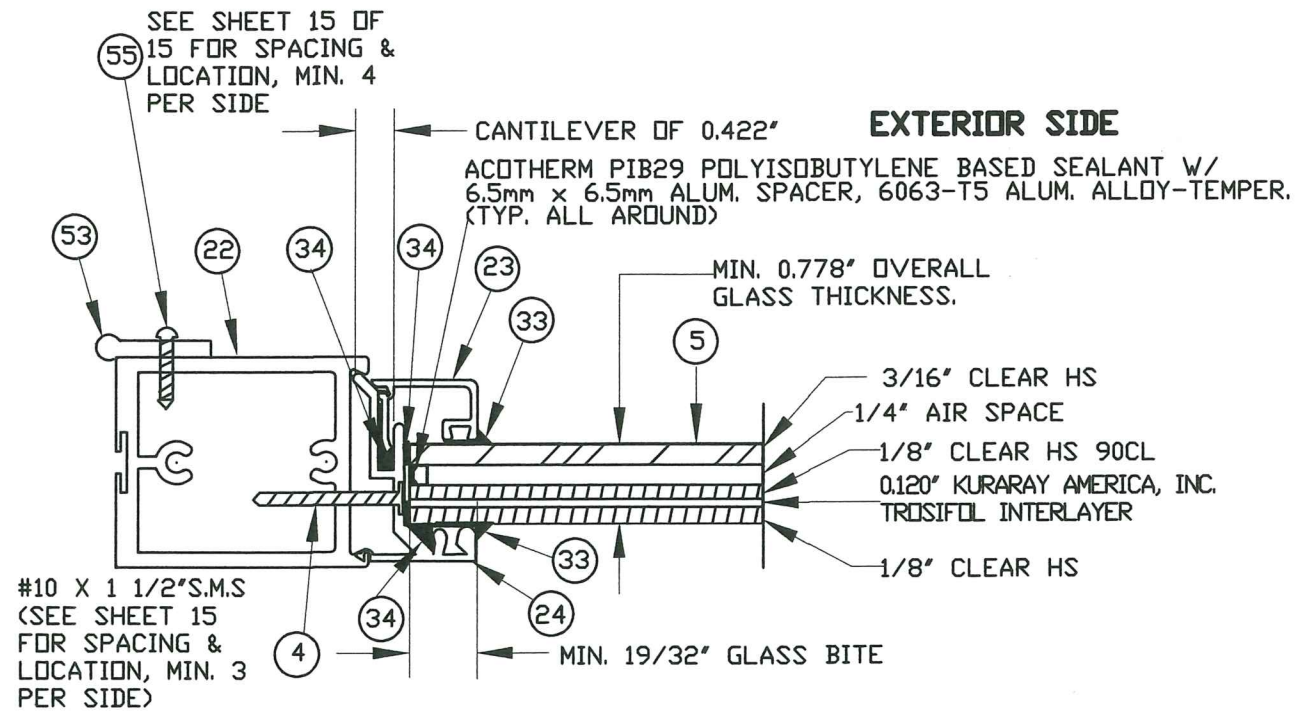
REV. No	DESCRIPTION	DATE	REV. No	DESCRIPTION	DATE
1	OLD 17-079	01/19/21	3		
2			4		

DRAWN BY
M.P.

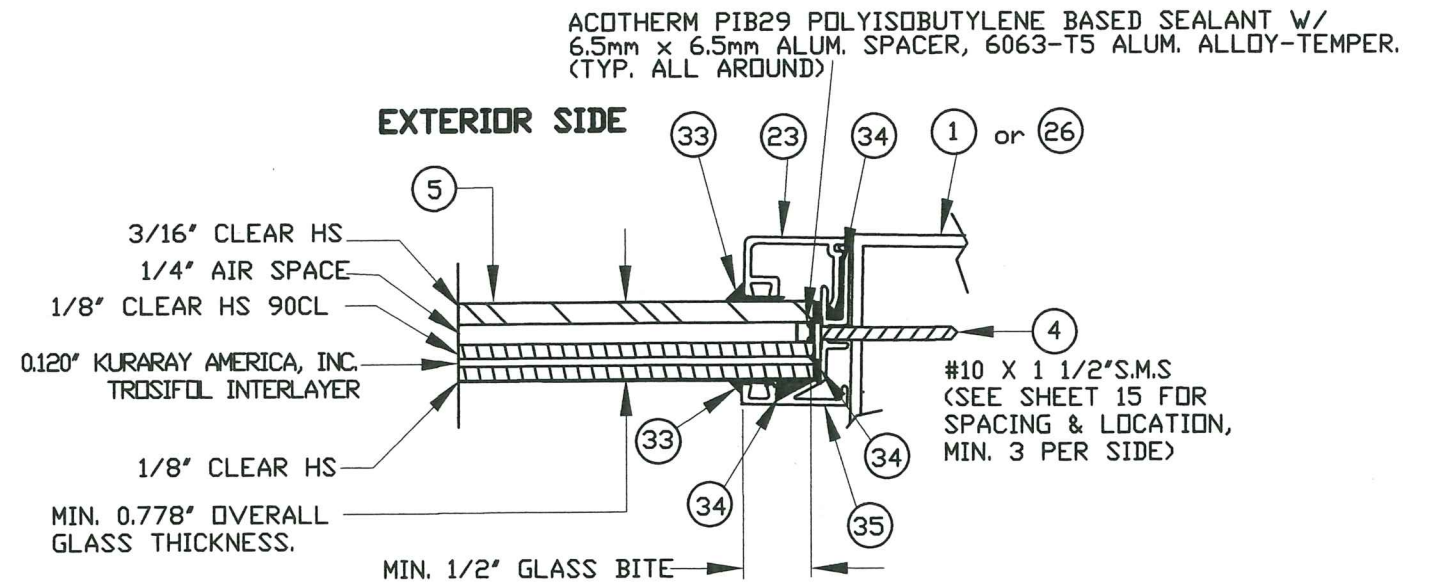
01/19/2021
DATE

21-023
DRAWING No

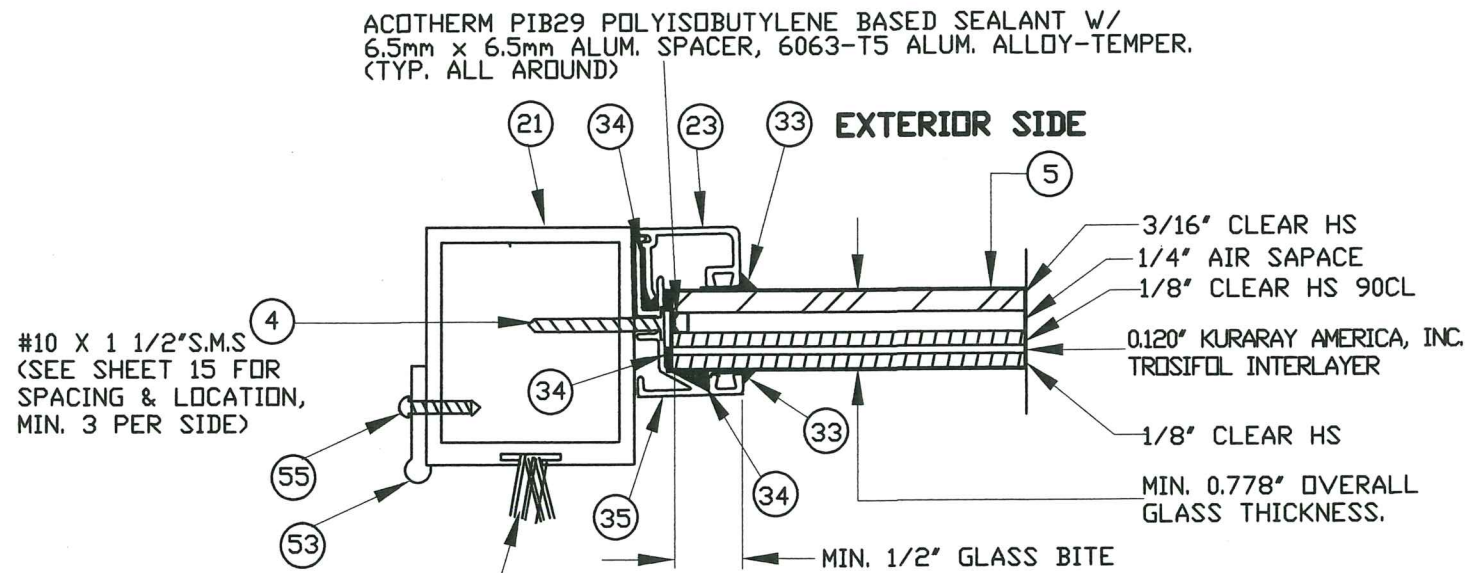
SHEET 6 OF 15



DOOR DETAIL (x)



SIDELITE JAMB DETAIL (o)



MULLION/SIDELITE JAMBS (O)

PRODUCT REVISED
 as complying with the Florida
 Building Code
 Acceptance No. 21-023-02
 Expiration Date 11/28/21
 W. A. Tillit Jr.
 Professional Engineer
 Miami Dade County

MIAMI DADE COUNTY

FLORIDA BUILDING CODE (HIGH VELOCITY HURRICANE ZONE)

WALTER A. TILLIT JR.
 LICENSE
 No. 44167
 STATE OF FLORIDA
 PROFESSIONAL ENGINEER
 P.E. SEAL/SIGNATURE/DATE

© 2021 TILTECO INC.

TILTECO INC.
 TILLIT TESTING & ENGINEERING COMPANY
 6355 N.W. 36th. St., Ste. 305, VIRGINIA GARDENS, FL 33166
 Phone : (305)871-1530 . Fax : (305)871-1531
 e-mail: tilteco@aol.com
 CA-0006719
 WALTER A. TILLIT Jr. P.E.
 FLORIDA Lic. # 44167

ALUMINUM COMMERCIAL PASS-THRU WINDOWS
 LARGE MISSILE IMPACT RESISTANT

QUIKSERV CORP.

11441 BRITTMORE PARK DRIVE,
 HOUSTON, TEXAS 77041

PHONE: (713) 937-3437 FAX: (713) 937-9765

DRAWN BY
 M.P

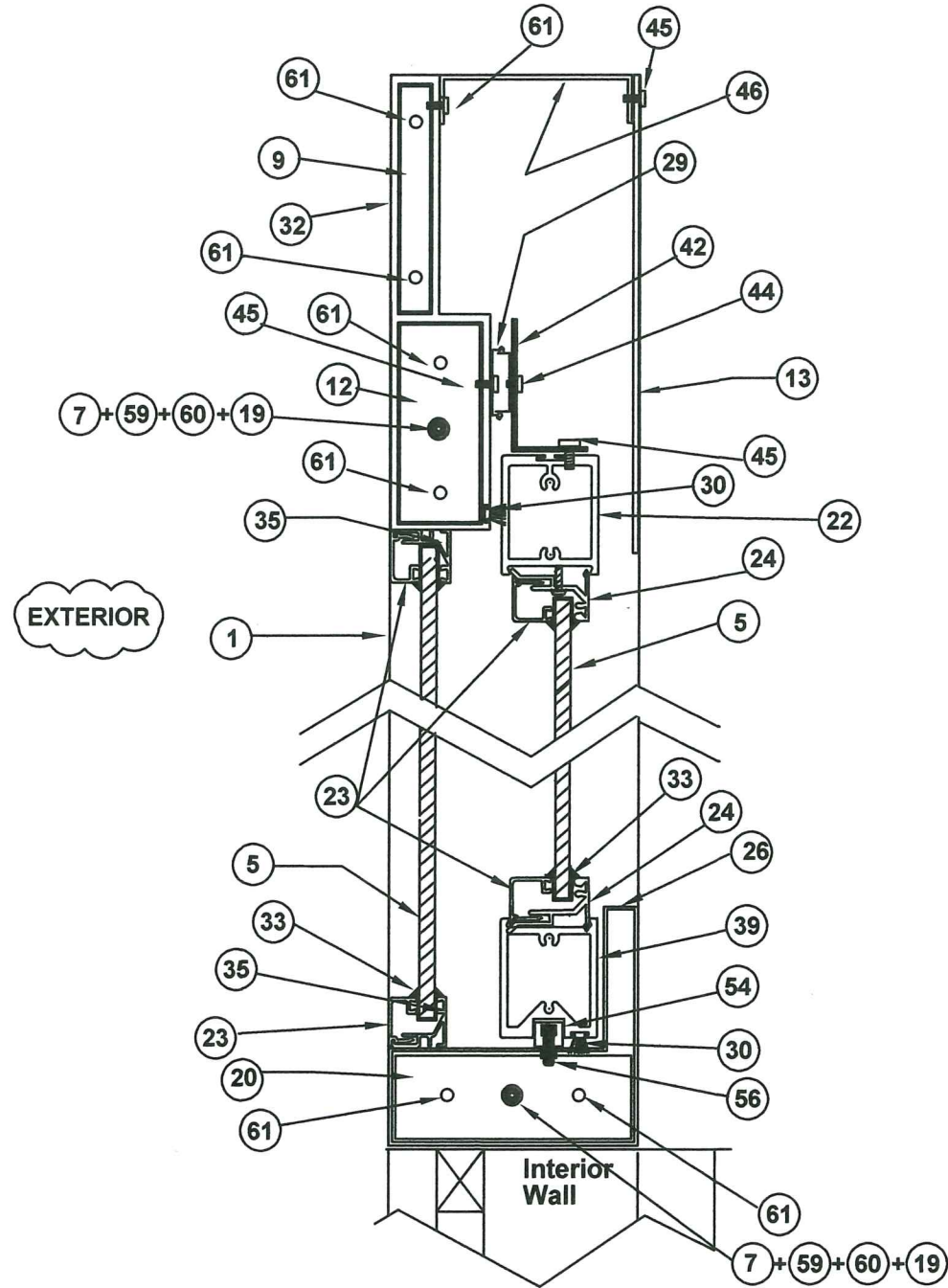
01/19/2021
 DATE

21-023
 DRAWING No

REV. No	DESCRIPTION	DATE	REV. No	DESCRIPTION	DATE
1	OLD 17-079	01/19/21	3		
2			4		

SHEET 7 OF 15

**MODEL BP-7241E-IP WINDOW TYPE 1, HEADER.
MODEL BP-7236E-IP WINDOW TYPE 2, HEADER.**



DOOR - HEADER CONNECTIONS
N.T.S.

PRODUCT REVIEWED
as complying with the Florida
Building Code
Acceptance No 21-0205-08
Expiration Date 11/28/21
Walter A. Tillit Jr.
Miami Head Product Control
MIAMI DADE COUNTY



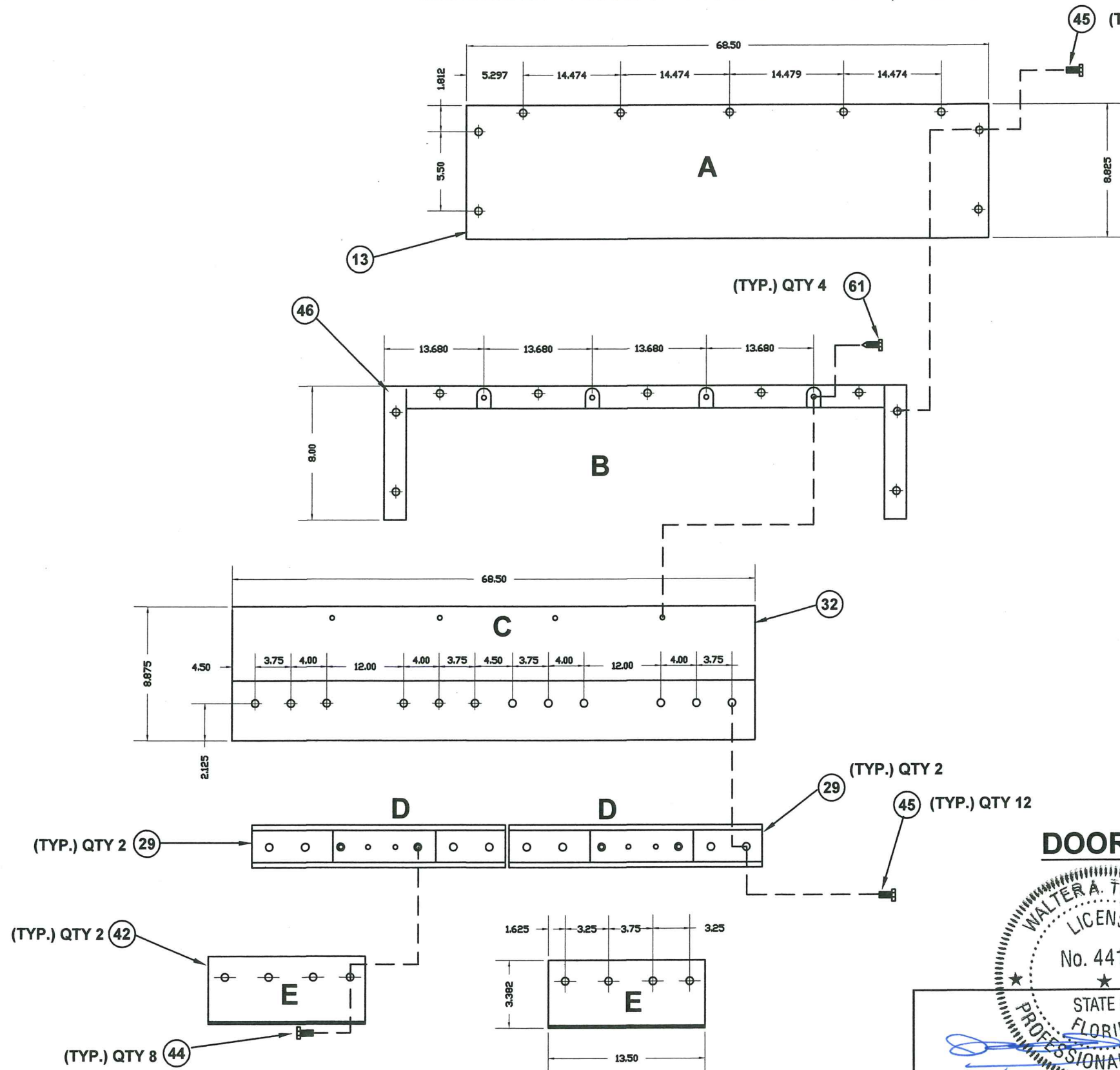
P.E. SEAL/SIGNATURE/DATE

© 2021 TILTECO INC.
TILTECO INC.
TILLIT TESTING & ENGINEERING COMPANY
6355 N.W. 38th. St., Ste. 305, VIRGINIA GARDENS, FL 33166
Phone : (305)871-1530 . Fax : (305)871-1531
e-mail: titeco@aol.com
CA-0006719
WALTER A. TILLIT Jr. P.E.
FLORIDA Lic. # 44167

FLORIDA BUILDING CODE (HIGH VELOCITY HURRICANE ZONE)

ALUMINUM COMMERCIAL PASS-THRU WINDOWS LARGE MISSILE IMPACT RESISTANT		DRAWN BY M.P.	
QUIKSERV CORP. 11441 BRITTMORE PARK DRIVE, HOUSTON, TEXAS 77041 PHONE: (713) 937-3437 FAX: (713) 937-9765		01/19/2021 DATE	
		21-023 DRAWING No	
REV. No	DESCRIPTION	DATE	REV. No
1	OLD 17-079	01/19/21	3
2			4
		SHEET 8 OF 15	

MODEL BP-7241E-IP TYPE 1 WINDOW, HEADER
 MODEL BP-7236E-IP TYPE 2 WINDOW, HEADER



NOTES:

A-(13) ACCESS COVER CONNECTS TO B-(46) ACCESS COVER BRACKET WITH QTY OF 9 (45) TRIM HEAD 10/32 X 3/4 SCREWS.

B-(46) ACCESS COVER BRACKET CONNECTS TO C-(32) HEADER WITH QTY 4 OF (61) HEX SCREW #8 X 1/2"

D-(29) BALLBEARING SASH SLIDERAIL QTY OF (2) CONNECTS TO C-(32) HEADER WITH QTY 12 OF (45) TRIM HEAD 10/32 X 3/4" SCREWS.

E-(42) DOOR BRACKET QTY(2) CONNECTS TO (29) BALLBEARING SASH SLIDERAIL QTY(2) WITH QTY 8 OF (44) HEX HEAD 10/32 X 3/8" SCREWS

DOOR - HEADER CONNECTIONS CONTINUED
 INTERIOR ELEVATION

N.T.S.

PRODUCT REVISED
 as complying with the Florida
 Building Code
 Acceptance No. 21-0205-08
 Expiration Date 11/28/21
 E. [Signature]
 Miami Made Product Control

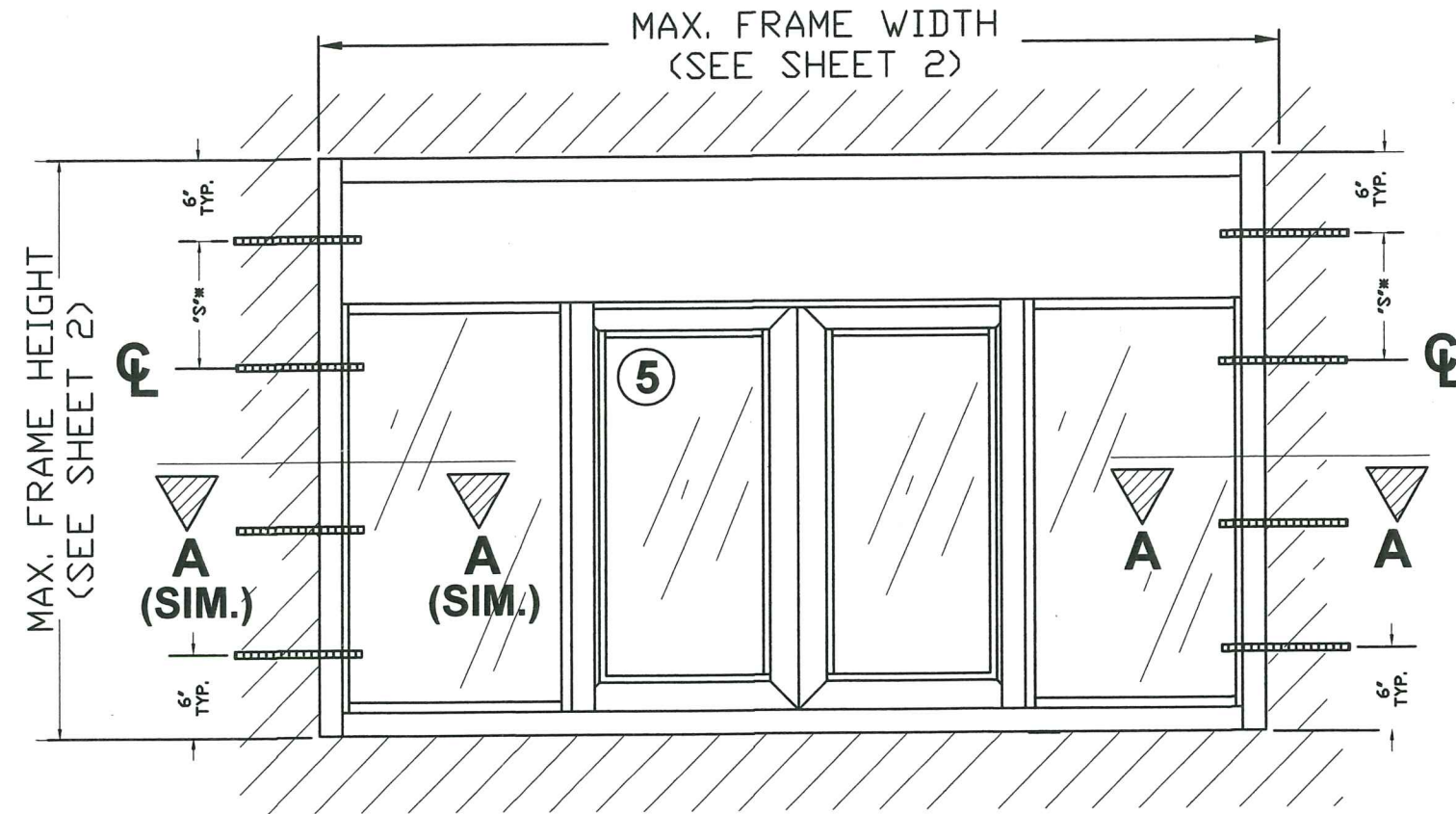
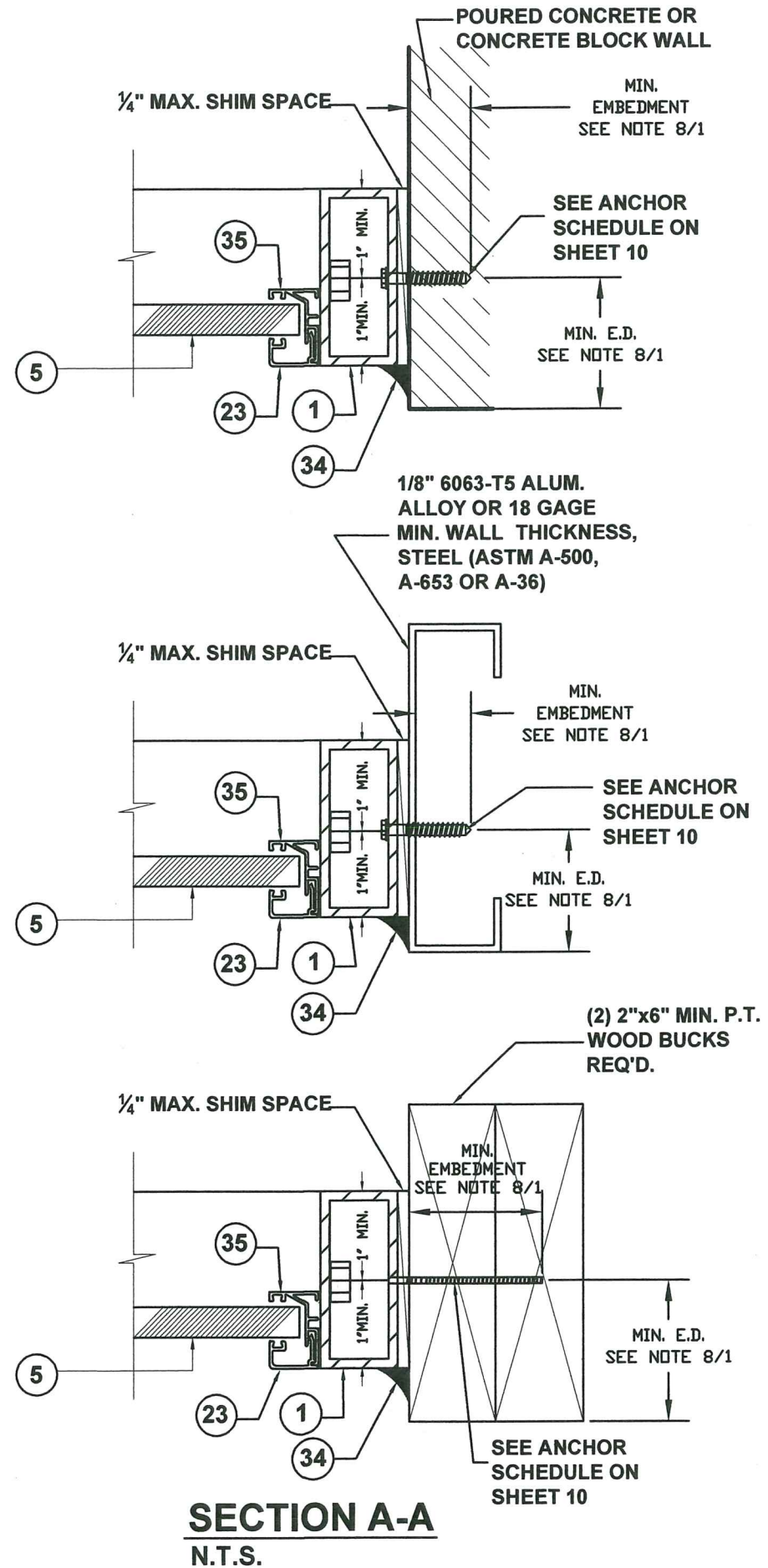
MIAMI DADE COUNTY

FLORIDA BUILDING CODE (HIGH VELOCITY HURRICANE ZONE)

		© 2021 TILTECO INC. TILTECO INC. TILLIT TESTING & ENGINEERING COMPANY 6355 N.W. 36th St., Ste. 305, VIRGINIA GARDENS, FL 33166 Phone : (305)871-1530 . Fax : (305)871-1531 e-mail: tiltco@aol.com CA-0006719 WALTER A. TILLIT Jr. P.E. FLORIDA Lic. # 44167		ALUMINUM COMMERCIAL PASS-THRU WINDOWS LARGE MISSILE IMPACT RESISTANT QUIKSERV CORP. 11441 BRITTMORE PARK DRIVE, HOUSTON, TEXAS 77041 PHONE: (713) 937-3437 FAX: (713) 937-9765		DRAWN BY M.P. DATE 01/19/2021 DRAWING No 21-023 SHEET 8A OF 15	
REV. No	DESCRIPTION	DATE	REV. No	DESCRIPTION	DATE		
1	OLD 17-079	01/19/21	3				
2			4				

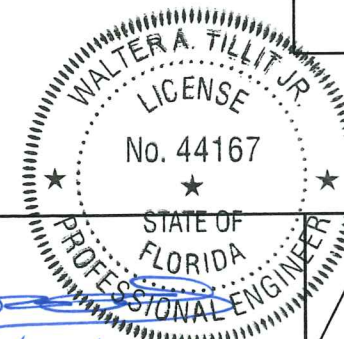
P.E. SEAL/SIGNATURE/DATE

ANCHOR INSTALLATION AND LAYOUT



TYPICAL FRAME ELEVATION
N.T.S.

* "S" = MAXIMUM SPACING
SEE SHEET 10.



P.E. SEAL/SIGNATURE/DATE

© 2021 TILTECO INC.



TILLIT TESTING & ENGINEERING COMPANY
6355 N.W. 36th. St., Ste. 305, VIRGINIA GARDENS, FL. 33166
Phone : (305)871-1530 . Fax : (305)871-1531
e-mail: tiltco@aol.com
CA-0006719
WALTER A. TILLIT Jr. P.E.
FLORIDA Lic. # 44167

FLORIDA BUILDING CODE (HIGH VELOCITY HURRICANE ZONE)

ALUMINUM COMMERCIAL PASS-THRU WINDOWS
LARGE MISSILE IMPACT RESISTANT

QUIKSERV CORP.

11441 BRITTMORE PARK DRIVE,
HOUSTON, TEXAS 77041

PHONE: (713) 937-3437 FAX: (713) 937-9765

REV. No	DESCRIPTION	DATE	REV. No	DESCRIPTION	DATE
1	OLD 17-078	01/19/21	3		
2			4		

DRAWN BY
M.P.

01/19/2021
DATE

21-023
DRAWING No

SHEET 9 OF 15

PRODUCT REVIEW
as complying with the Florida
Building Code
Acceptance No. 21-0205.02
Expiration Date 11/28/21
Walter A. Tillit Jr.
Product Control
MIAMI DADE COUNTY

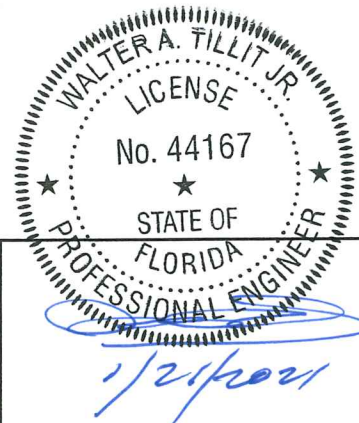
SECTION A-A
N.T.S.

ANCHOR SCHEDULE

MAXIMUM ANCHOR SPACING "S" SCHEDULE AT JAMB

MAX A.S.D. DESIGN LOAD (PSF) NEGATIVE LOAD	SUBSTRATE	ANCHOR TYPE	MAX SPACING
50 OR LESS	POURED CONCRETE (SEE NOTE 8A/1)	1/4"Ø ITW BUILDEX TAPCON ANCHORS	10"
	CONCRETE BLOCK (SEE NOTE 8B/1)	1/4"Ø ITW BUILDEX TAPCON ANCHORS	10"
	ALUMINUM MEMBER (SEE NOTE 8D/1)	1/4"Ø ITW BUILDEX TEK SCREWS	10"
	STEEL MEMBER (SEE NOTE 8E/1)	1/4"Ø ITW BUILDEX TEK SCREWS	10"
	WOOD (SEE NOTE 8C/1)	1/4"Ø WOOD SCREWS (NDS)	10"
> 50 TO 70	POURED CONCRETE (SEE NOTE 8A/1)	1/4"Ø ITW BUILDEX TAPCON ANCHORS	7 1/2"
	CONCRETE BLOCK (SEE NOTE 8B/1)	1/4"Ø ITW BUILDEX TAPCON ANCHORS	7 1/2"
	ALUMINUM MEMBER (SEE NOTE 8D/1)	1/4"Ø ITW BUILDEX TEK SCREWS	10"
	STEEL MEMBER (SEE NOTE 8E/1)	1/4"Ø ITW BUILDEX TEK SCREWS	10"
	WOOD (SEE NOTE 8C/1)	1/4"Ø WOOD SCREWS (NDS)	9"
> 70 TO 80	POURED CONCRETE (SEE NOTE 8A/1)	1/4"Ø ITW BUILDEX TAPCON ANCHORS	6 1/2"
	CONCRETE BLOCK (SEE NOTE 8B/1)	1/4"Ø ITW BUILDEX TAPCON ANCHORS	6 1/2"
	ALUMINUM MEMBER (SEE NOTE 8D/1)	1/4"Ø ITW BUILDEX TEK SCREWS	9 1/2"
	STEEL MEMBER (SEE NOTE 8E/1)	1/4"Ø ITW BUILDEX TEK SCREWS	9 1/2"
	WOOD (SEE NOTE 8C/1)	1/4"Ø WOOD SCREWS (NDS)	7 1/2"

PRODUCT REVISED
as complying with the Florida Building Code
Acceptance No 21-0205-08
Expiration Date 11/28/21
S. King, L.L.M.
Miami Dade Product Control
MIAMI DADE COUNTY



P.E. SEAL/SIGNATURE/DATE

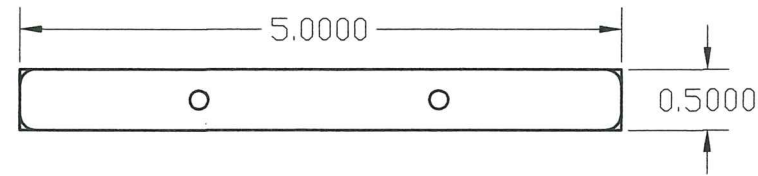
© 2021 TILTECO INC.

TILTECO INC.
TILLIT TESTING & ENGINEERING COMPANY
6355 N.W. 56th St., Ste. 305, VIRGINIA GARDENS, FL 33166
Phone : (305)871-1530 • Fax : (305)871-1531
e-mail: tiltco@aol.com
CA-0006719
WALTER A. TILLIT Jr., P.E.
FLORIDA Lic. # 44167

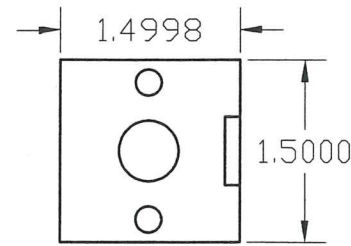
FLORIDA BUILDING CODE (HIGH VELOCITY HURRICANE ZONE)

ALUMINUM COMMERCIAL PASS-THRU WINDOWS LARGE MISSILE IMPACT RESISTANT		DRAWN BY M.P
QUIKSERV CORP. 11441 BRITTMORE PARK DRIVE, HOUSTON, TEXAS 77041 PHONE: (713) 937-3437 FAX: (713) 937-9765		01/19/2021 DATE
		21-023 DRAWING No
REV. No	DESCRIPTION	DATE
1	OLD 17-079	01/19/21
2		

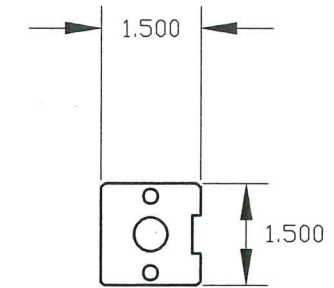
SHEET 10 OF 15



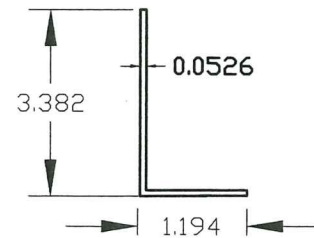
9 FRAMING PLATE
14 ga. ASTM A-653, CQ-GRADE 40
G-90 GALVANIZED STEEL
QUIKSERV RM# 3981



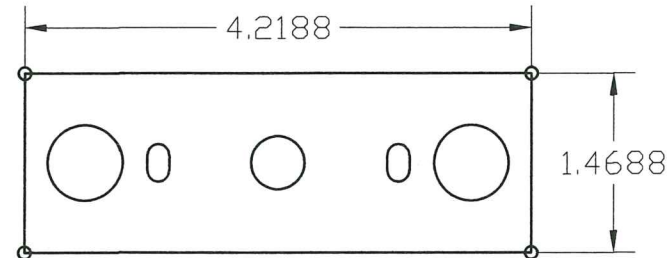
12 FRAMING PLATE
14 ga. ASTM A-653, CQ-GRADE 40
G-90 GALVANIZED STEEL
QUIKSERV RM# 3668



36 FRAMING PLATE
14 ga. ASTM A-653, CQ-GRADE 40
G-90 GALVANIZED STEEL
QUIKSERV RM# 3668



42 DOOR BRACKET
12 ga. ASTM A-653, CQ-GRADE 40
G-90 GALVANIZED STEEL
SIZE VARIES



20 FRAMING PLATE
14 ga. ASTM A-653, CQ-GRADE 40
G-90 GALVANIZED STEEL
QUIKSERV RM# 3757

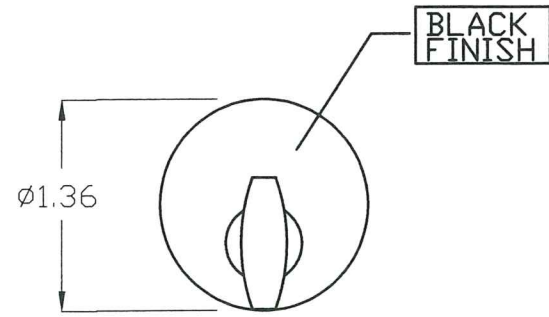
STEEL ASSEMBLY COMPONENTS

PRODUCT REVISED
as complying with the Florida
Building Code
Acceptance No 21-0205-08
Expiration Date 11/25/21
E. Keith Tillit Jr.
Miami Product Control

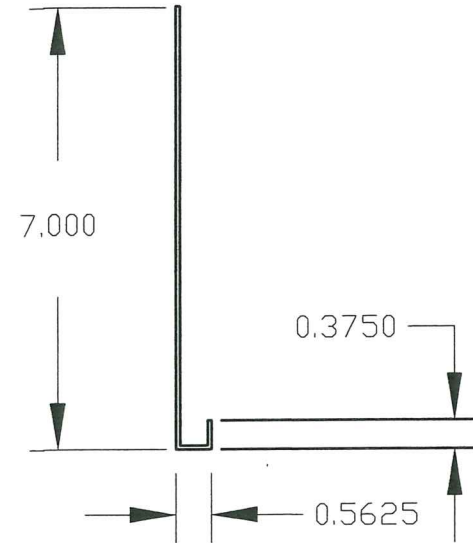
MIAMI DADE COUNTY

FLORIDA BUILDING CODE (HIGH VELOCITY HURRICANE ZONE)

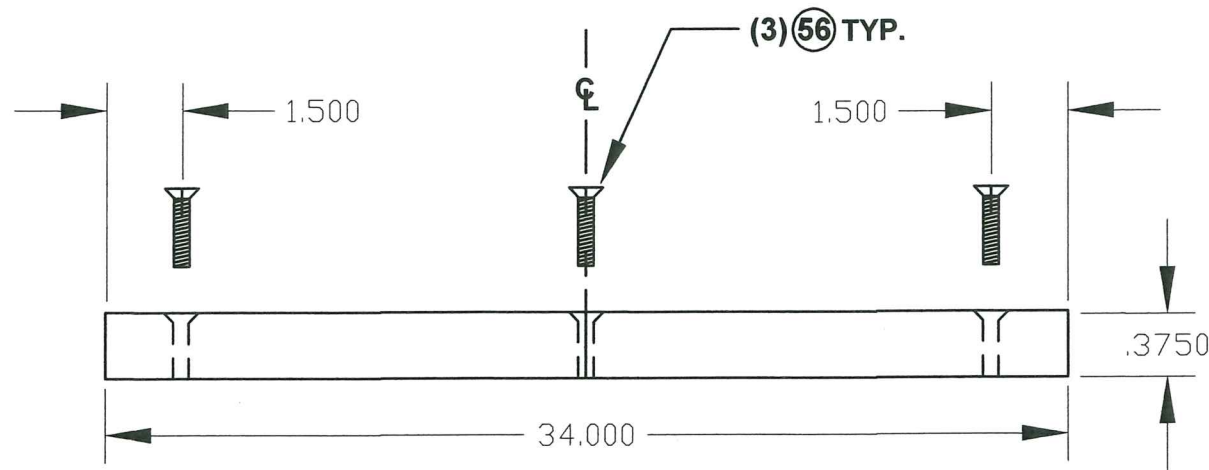
 P.E. SEAL/SIGNATURE/DATE	© 2021 TILTECO INC. TILTECO INC. TILLIT TESTING & ENGINEERING COMPANY 6355 N.W. 36th. St., Ste. 305, VIRGINIA GARDENS, FL 33166 Phone : (305)871-1530 . Fax : (305)871-1531 e-mail: tiltco@aol.com CA-0006719 WALTER A. TILLIT Jr. P.E. FLORIDA Lic. # 44167	ALUMINUM COMMERCIAL PASS-THRU WINDOWS LARGE MISSILE IMPACT RESISTANT	DRAWN BY M.P																		
		QUIKSERV CORP. 11441 BRITTMORE PARK DRIVE, HOUSTON, TEXAS 77041 PHONE: (713) 937-3437 FAX: (713) 937-9765	01/19/2021 DATE 21-023 DRAWING No																		
<table border="1"> <thead> <tr> <th>REV. No</th> <th>DESCRIPTION</th> <th>DATE</th> <th>REV. No</th> <th>DESCRIPTION</th> <th>DATE</th> </tr> </thead> <tbody> <tr> <td>1</td> <td>OLD 17-079</td> <td>01/19/21</td> <td>3</td> <td></td> <td></td> </tr> <tr> <td>2</td> <td></td> <td></td> <td>4</td> <td></td> <td></td> </tr> </tbody> </table>		REV. No	DESCRIPTION	DATE	REV. No	DESCRIPTION	DATE	1	OLD 17-079	01/19/21	3			2			4			SHEET 11 OF 15	
REV. No	DESCRIPTION	DATE	REV. No	DESCRIPTION	DATE																
1	OLD 17-079	01/19/21	3																		
2			4																		



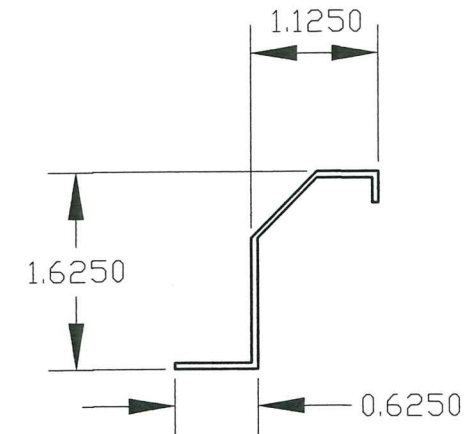
48 THUMB TURN HOOKLOCK
QUIKSERV PART # 2022



13 ACCESS COVER
18 ga. 304 Stainless Steel
BP-7241E-IP
BP-7236-IP
QUIKSERV RM# 3986



54 DOOR GUIDE BLOCK
HIGH DENSITY POLYETHYLENE
34" (L) X 3/8" (H) X 1/2" (W)
SPECIFIC GRAVITY=0.96-0.97
(PER SAFETY DATA SHEET)
MANUFACTURED BY QUADRANT EPP-USA INC,
700 NORTH SOUTH ROAD,
SCRANTON, PA 18501



49 DOOR HANDLE
16 ga. 304 Stainless Steel
QUIKSERV RM# 3588

PRODUCT REVISED
as complying with the Florida
Building Code
Acceptance No. 21-0205.08
Expiration Date 11/28/21
E. Walter A. Tillit Jr.
Professional Engineer
MIAMI DADE COUNTY



P.E. SEAL/SIGNATURE/DATE

© 2021 TILTECO INC.

TILTECO INC.

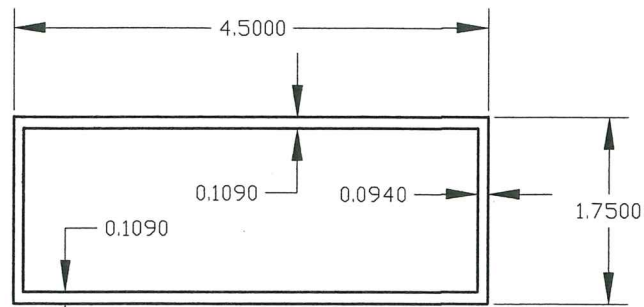
TILLIT TESTING & ENGINEERING COMPANY
6355 N.W. 36th St., Ste. 305, VIRGINIA GARDENS, FL 33166
Phone : (305)871-1530 . Fax : (305)871-1531
e-mail: titeco@aol.com
CA-0006719
WALTER A. TILLIT JR. P.E.
FLORIDA Lic. # 44167

FLORIDA BUILDING CODE (HIGH VELOCITY HURRICANE ZONE)

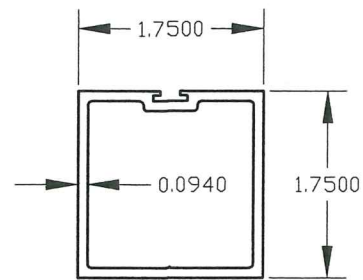
ALUMINUM COMMERCIAL PASS-THRU WINDOWS LARGE MISSILE IMPACT RESISTANT				DRAWN BY M.P	
QUIKSERV CORP. 11441 BRITTMORE PARK DRIVE, HOUSTON, TEXAS 77041 PHONE: (713) 937-3437 FAX: (713) 937-9765				01/19/2021 DATE	
				21-023 DRAWING No	
REV. No	DESCRIPTION	DATE	REV. No	DESCRIPTION	DATE
1	OLD 17-079	01/19/21	3		
2			4		

SHEET 12 OF 15

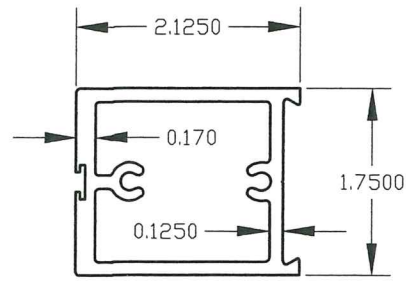
STEEL ASSEMBLY COMPONENTS
(CONTINUED)



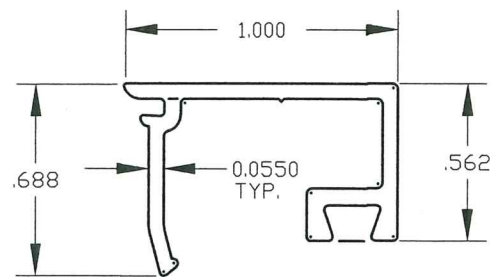
01 1-3/4" X 4-1/2" RECT. TUBE
QUIKSERV RM# 6026



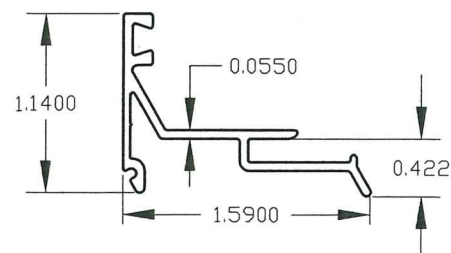
21 1-3/4" SQ. TUBE
QUIKSERV RM# 6049



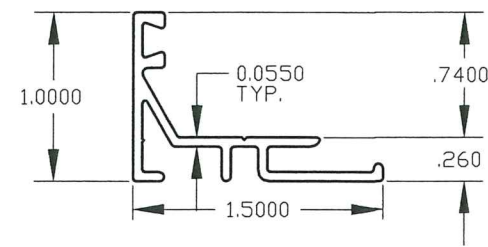
22 WIDE DOOR EXTRUSION
QUIKSERV RM# 6078



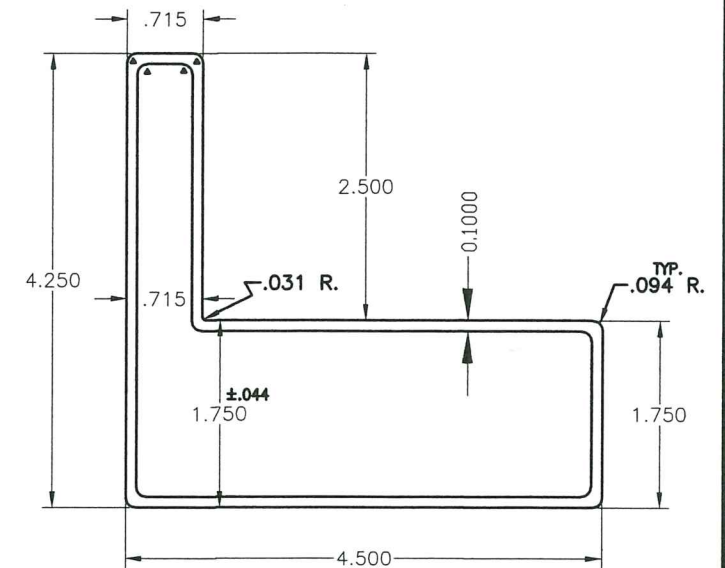
23 SASH FACE
QUIKSERV RM# 6061



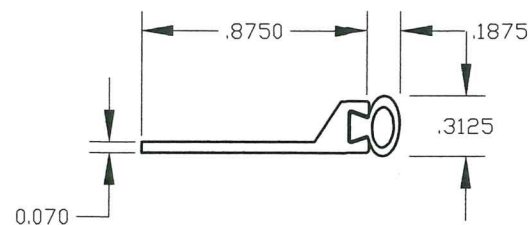
24 SNAP-ON SASH
QUIKSERV RM# 6065



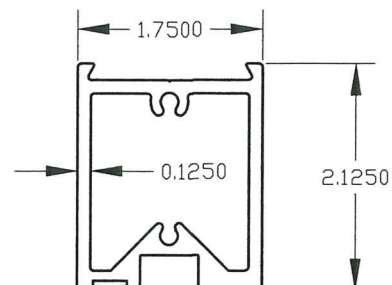
35 SCREW APPLIED SASH
QUIKSERV RM# 6082



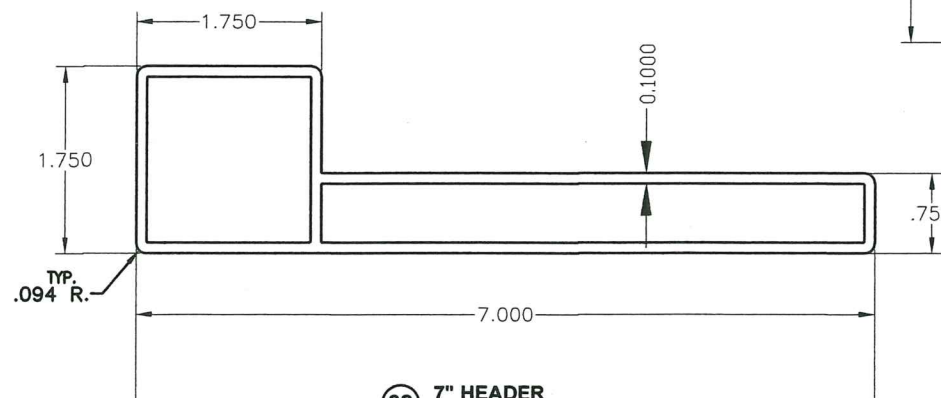
26 4-1/2" BASE
QUIKSERV RM# 6123



53 161 NA PERIMETER SEAL
.07 ALUMINUM WITH NEOPRENE



39 WIDE DOOR EXTRUSION W/ SLOT
QUIKSERV RM# 6080



32 7" HEADER
QUIKSERV RM# 6170

ALUMINUM EXTRUSIONS COMPONENTS

PRODUCT REVISED
as complying with the Florida
Building Code
Acceptance No. 21-0205-08
Expiration Date 11/28/21
W. A. Tillit Jr.
Miami Air Hyd. Product Control
MIAMI DADE COUNTY

FLORIDA BUILDING CODE (HIGH VELOCITY HURRICANE ZONE)



P.E. SEAL/SIGNATURE/DATE

© 2021 TILTECO INC.
TILTECO inc.
TILLIT TESTING & ENGINEERING COMPANY
6355 N.W. 36th St., Ste. 305, VIRGINIA GARDENS, FL 33166
Phone : (305)871-1530 . Fax : (305)871-1531
e-mail: tilteco@aol.com
CA-0006719
WALTER A. TILLIT Jr. P.E.
FLORIDA Lic. # 44167

ALUMINUM COMMERCIAL PASS-THRU WINDOWS
LARGE MISSILE IMPACT RESISTANT
QUIKSERV CORP.
11441 BRITTMORE PARK DRIVE,
HOUSTON, TEXAS 77041
PHONE: (713) 937-3437 FAX: (713) 937-9765

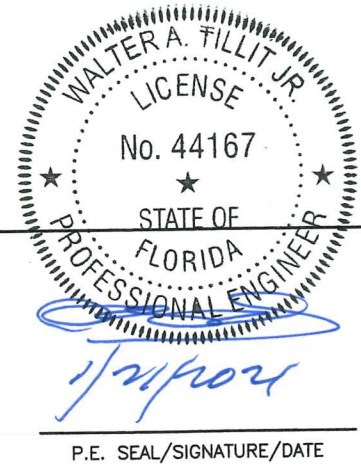
REV. No	DESCRIPTION	DATE	REV. No	DESCRIPTION	DATE
1	OLD 17-079	01/19/21	3		
2			4		

DRAWN BY
M.P.
01/19/2021
DATE
21-023
DRAWING No
SHEET 13 OF 15

BILL OF MATERIALS

COMPONENT #	Description	Quikserv #	Material	Specs
1	1 3/4" x 4 1/2" Rect. Tube	6026	6063-T5 Aluminum	See drawing pg. 13 - length varies
4	Sheet Metal Screw	5055	304 Stainless Steel	See dwg pg. 15 - 10/32 x 1 1/2". For spacing information see sheet 8A of 15
5	Insulated Laminated Glass	n/a	0.120" Interlayer	See drawing pg. 7 - size varies
7	All Thread Rod	n/a	Grade 2 Carbon Steel, Zinc Plated	5/16" Diameter x Length varies
9	Framing Plate	3981	14 ga. ASTM A-653, CQ Grade 40 G-90 Galvanized Steel	See drawing pg. 11
12	Framing Plate	3668	14 ga. ASTM A-653, CQ Grade 40 G-90 Galvanized Steel	See drawing pg. 11
13	Access Cover for BP-7241E-IP & BP-7236E-IP	3986	18 ga 304 Series Stainless Steel	See drawing pg. 12
16	Flat Head Tamper Resistant Machine Screw	5054	304 Stainless Steel	10/32 x 1-1/2
17	Flat Head Machine Screw	5055	304 Stainless Steel	10/32 x 1-1/2
19	Hex Nut	5301	Zinc Plated	5/16-18
20	Framing Plate	3757	14 ga. ASTM A-653, CQ Grade 40 G-90 Galvanized Steel	See drawing pg. 11
21	1 3/4" Sq. Tube Mullion	6049	6063-T5 Aluminum	See drawing pg. 13 - length varies
22	Wide Door Extrusion Mullion	6078	6063-T5 Aluminum	See drawing pg. 13 - length varies
23	Sash Face	6061	6063-T5 Aluminum	See drawing pg. 13 - length varies
24	Snap-on Sash	6065	6063-T5 Aluminum	See drawing pg. 13- length varies
26	Base	6123	6063-T5 Aluminum	See drawing pg. 13 - length varies
28	Hex Bolt	5205	Grade 2 Carbon Steel, Zinc Plated	5/16-18 x 1"
29	Ball Bearing Sash Slide Rail	1917	Cold Roll Steel	dimensions 1 3/8"(h) x 32" (l) x 1/2" (d)
30	Weatherstripping	6034	0.270" x 0.320" Pile	n/a
32	Header for BP-7241E-IP & BP-7236E-IP	6170	6063-T5 Aluminum	See drawing pg. 13 - length varies
33	Glazing Vinyl	6032	n/a	n/a
34	Silicone	2100	Structural Silicone	Dow Corning 995
35	Screw Applied Sash	6082	6063-T5 Aluminum	See drawing pg. 13 - length varies
36	Framing Plate	3668	14 ga. ASTM A-653, CQ Grade 40 G-90 Galvanized Steel	See drawing pg. 11
39	Wide Door Extrusion w/ Slot	6080	6063-T5 Aluminum	See drawing pg. 13 - length varies
42	Door Bracket	n/a	12 ga. ASTM A-653, CQ Grade 40, G-90 Galvanized Steel	See drawing pg. 11- size varies
44	Trim Head Hex Machine Screw	5008	Grade 2 Carbon Steel, Zinc Plated	10-32 x 3/8". For spacing information see sheet 8A of 15
45	Trim Head Hex Machine Screw	5005	Grade 2 Carbon Steel, Zinc Plated	10-32 x 3/4". For spacing information see sheet 8A of 15
46	Access Cover Bracket	3985	20 ga. ASTM A-653, CQ Grade 40, G-90 Galvanized Steel	See pg. 4, 6 & 8
48	Hook Lock w/ Thumb Turn, Keeper and Face Plate	2022	Grade 2 Carbon Steel, Zinc Plated	See drawing pg. 12
49	Door Handle	3588	16 ga. 304 Stainless Steel	See drawing pg. 12
53	161 NA Perimeter Seal	n/a	0.07 Aluminum with Neoprene	See drawing pg. 13 - length varies
54	Door Guide Block	n/a	High Density Polyethylene 34" (L)x3/8" (H)x1/2" (W)	See drawing pg. 12
55	Phil Pan Tek Screw	5036	410 Series Stainless Steel	#8 x 1/2" (4) per side, fastening 53 to 21 & 22
56	Phil Flat Undercut Screw	5052	304 Series Stainless Steel	(3) #10-32 x 1"
59	Flat Washer	5402	Grade 2 Carbon Steel, Zinc Plated	5/16" diameter x 0.100" Thick
60	Lock Washer	5403	Grade 2 Carbon Steel, Zinc Plated	5/16" diameter x 0.083" Thick
61	Tek Screw	6017	Grade 2 Carbon Steel, Zinc Plated	#8 x 1/2". For spacing information see sheet 8A of 15

PRODUCT REVISED
 as complying with the Florida
 Building Code
 Acceptance No 21-0205-08
 Expiration Date 11/28/21
 By: Walter A. Tillit Jr.
 Professional Engineer
 MIAMI DADE COUNTY

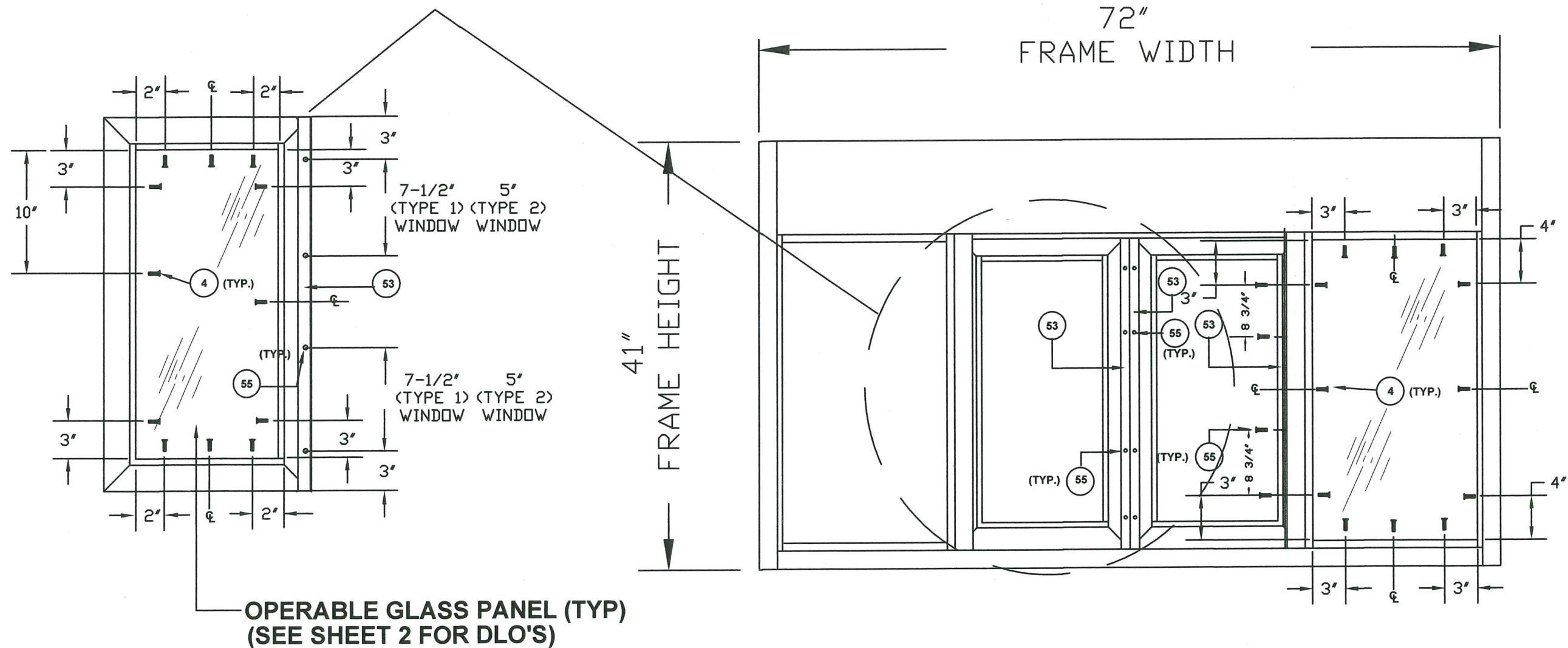

 WALTER A. TILLIT JR.
 LICENSE
 No. 44167
 STATE OF
 FLORIDA
 PROFESSIONAL ENGINEER
 P.E. SEAL/SIGNATURE/DATE

© 2021 TILTECO INC.

 TILLIT TESTING & ENGINEERING COMPANY
 6355 N.W. 36th St., Ste. 305, VIRGINIA GARDENS, FL 33166
 Phone: (305)871-1530 Fax: (305)871-1531
 e-mail: tilliteco@aol.com
 CA-0006719
 WALTER A. TILLIT Jr. P.E.
 FLORIDA Lic. # 44167

FLORIDA BUILDING CODE (HIGH VELOCITY HURRICANE ZONE)

ALUMINUM COMMERCIAL PASS-THRU WINDOWS LARGE MISSILE IMPACT RESISTANT		DRAWN BY M.P
QUIKSERV CORP.		01/19/2021 DATE
11441 BRITTMORE PARK DRIVE, HOUSTON, TEXAS 77041		21-023 DRAWING No
PHONE: (713) 937-3437 FAX: (713) 937-9785		SHEET 14 OF 15
REV. No	DESCRIPTION	DATE
1	OLD 17-079	01/19/21
2		



OPERABLE GLASS PANEL (TYP)
(SEE SHEET 2 FOR DLO'S)

SASH INSTALLATION DETAILS
N.T.S.

APPLICABLE TO THE FOLLOWING WINDOWS:
BP-7241E-IP (TYPE 1 WINDOW)
BP-7236E-IP (TYPE 2 WINDOW)

PRODUCT REVISED
as complying with the Florida
Building Code
Acceptance No 21-0205-08
Expiration Date 11/28/21
Ising I. V...
Miami Dade Product Control
MIAMI DADE COUNTY

WALTER A. TILLIT JR.
LICENSE
No. 44167
STATE OF
FLORIDA
PROFESSIONAL ENGINEER
Walter A. Tillit Jr.
P.E. SEAL/SIGNATURE/DATE

© 2021 TILTECO INC.
TILTECO INC.
TILLIT TESTING & ENGINEERING COMPANY
6355 N.W. 36th St., Ste. 305, VIRGINIA GARDENS, FL 33166
Phone : (305)871-1530 . Fax : (305)871-1531
e-mail: tilteco@aol.com
CA-0006719
WALTER A. TILLIT JR. P.E.
FLORIDA Lic. # 44167

FLORIDA BUILDING CODE (HIGH VELOCITY HURRICANE ZONE)

ALUMINUM COMMERCIAL PASS-THRU WINDOWS LARGE MISSILE IMPACT RESISTANT				DRAWN BY M.P.
QUIKSERV CORP. 11441 BRITTMORE PARK DRIVE, HOUSTON, TEXAS 77041 PHONE: (713) 937-3437 FAX: (713) 937-9765				01/19/2021 DATE
				21-023 DRAWING No
REV. No	DESCRIPTION	DATE	REV. No	DESCRIPTION
1	OLD 17-079	01/19/21	3	
2			4	

SHEET 15 OF 15